

# FSCT

## Flat Screen Ceiling Mount 0° to 15° Tilt

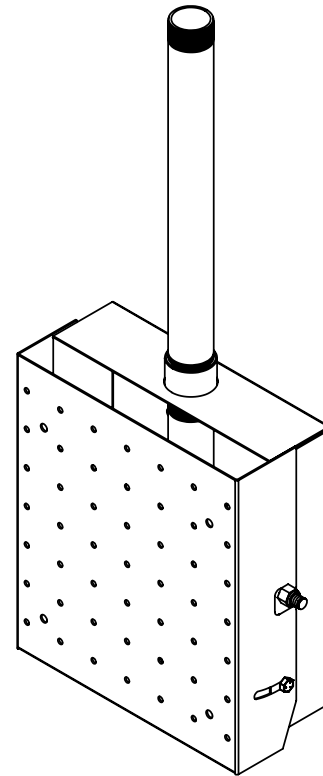
The FSCT Flat Screen Ceiling Mount is designed to suspend a monitor from a flange mounted to structure in the ceiling. (The ceiling flange is sold separately.)

The existing hole pattern on the front of the FSCT mount allows it to be used with standard VESA mounting patterns. The FSCT can also be mounted using our patented universal flat screen adaptors and mount specific flat screen adaptors. (The mount specific and universal flat screen adaptors are sold separately.) The monitor can be mounted in either portrait or landscape viewing modes and tilted up to 15° for the optimal viewing angle.

The 1/2" nylock nuts and 3/8" hex bolts on the sides of the FSCT positively secure the monitor to prevent any possible unintentional release from the mount.

Our mounts are tested at four times the rated load limit to ensure that they can hold the monitor during seismic or other extreme loading events.

When dropping the monitor more than 36" from the ceiling flange, we recommend using a stabilizer kit to prevent the pipe from being able to move from side to side. (CMASTA15 stabilizer kit is sold separately.)



### **Important! Please read all warnings and cautions before installing the mount.**

**Caution:** Improper installation of this ceiling mount may void the warranty on your monitor.

**Caution:** Ceiling attachment should be performed by qualified installers only, using construction methods prescribed by authorized architects or engineers that comply to all applicable codes and standards.

The maximum weight of monitor to be installed on the FSCT is 200 Lbs. (90.7 Kg.)

Inspect all parts to make sure there is no shipping damage. Do not install if any parts are damaged.

Please call 1-800-LUCASEY or 1-510-534-1435 if you have any questions about this installation.

**WARNING:** Improper installation can result in serious personal injury. It is the responsibility of the installer to ensure that all safety precautions are taken during the installation and that all safety features of the mount are properly utilized.

**WARNING:** The structure to which the mount is attached needs to be capable of supporting five times the stated load limit. Additional reinforcement of the structure to which the ceiling flange is attached may be necessary and a certified architect or engineer is needed to make this determination.

**WARNING:** Take into consideration the combined weight of the mount, the monitor and any auxiliary equipment when determining the total load on the ceiling and mount.

**WARNING:** Do not place your fingers between movable parts on the FSCT mount. The FSCT Ceiling Mount Bracket Assembly and FSCT VESA Mounting Plate, when adjusting the tilt or putting the monitor in place, create pinch points that can cause injury.

**WARNING:** Make sure that the screws used to attach the monitor to the mount are the appropriate size and length. An assortment of monitor attaching screws is provided for convenience. The appropriate screws to use for mounting the monitor are determined by the monitor manufacturer. Failure to use the screws recommended by the monitor manufacturer can result in the monitor dropping from the mount and/or damage to the electronic components inside the monitor.

**WARNING:** Use the thread locking agent and setscrews provided to prevent the pipe from coming unscrewed. Failure to use either the thread locking agent or the set screws can result, with continued swivelling of the monitor on the threads of the pipe, in the pipe coming unscrewed from the ceiling flange and dropping the monitor. The monitor mount assembly coming unscrewed from the pipe unintentionally can cause injury.

## Table of Contents

Page 1 ...	Title Page & Product Description
Page 2 ...	Warnings, Item List & Tools Required
Page 3 ...	Dimensional Drawings
Page 4 ...	Installation Instructions for FSCT Ceiling Bracket
Page 5 ...	Installation Instructions for Monitor Attachment
Page 6 ...	Tilt Adjustment, Monitor Removal & Warranty

## Item List

1 ...	FSCT Ceiling Mount Bracket Assembly
1 ...	FSCT VESA Mounting Plate
1 ...	1-1/2" I.D. NPT x 18" Pipe
2 ...	3/8-16 x 3/4" Hex Bolts (Black)
2 ...	1/2-13 Nylock Nuts (Black)
4 ...	5/16-18 x 3/4" Hex Bolts (Black)
8 ...	5/16" Flat Washers (Black)
4 ...	5/16-18 Nylock Nuts (Black)
1 ...	PermaBond HM-128 1/2ml Tube
2 ...	1/4-20 x 3/8" Setscrews

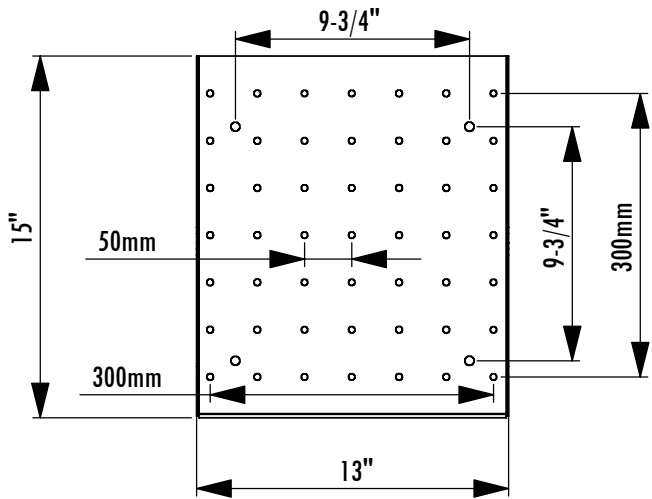
## Tools Required

1/8" Hex Wrench  
 3/4" Box Wrench or Socket Driver  
 9/16" Box Wrench or Socket Driver  
 1/2" Box Wrench or Socket Driver  
 Pipe or Strap Wrench for 1-1/2" I.D. Pipe  
 Phillips Screw Driver

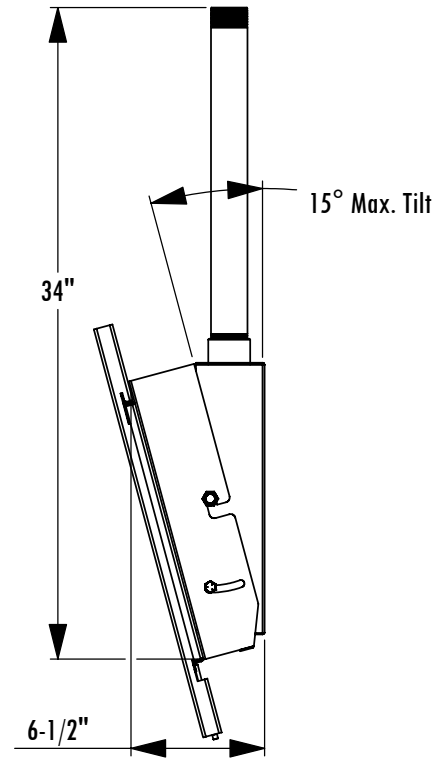
### Monitor Attaching Screw Assortment

4 ...	4mm x 25mm Set Screws
8 ...	4mm Hex Nuts
4 ...	5mm x 30mm Set Screws
8 ...	5mm Hex Nuts
4 ...	6mm x 30mm Set Screws
8 ...	6mm Hex Nuts
4 ...	4mm x 12mm Phillips Screws
12 ...	5mm Flat Washers
4 ...	5mm x 12mm Phillips Screws
12 ...	1/4" Flat Washers
4 ...	6mm x 12mm Phillips Screws

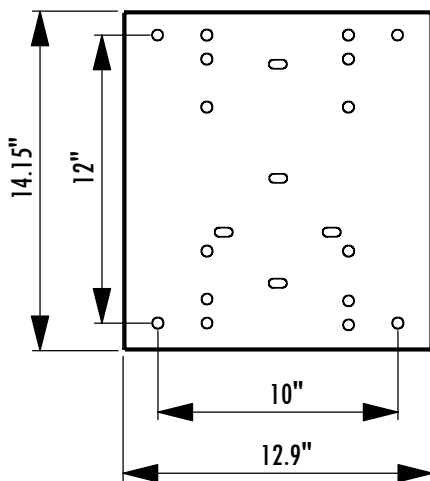
**FSCT VESA Front Plate Front View**



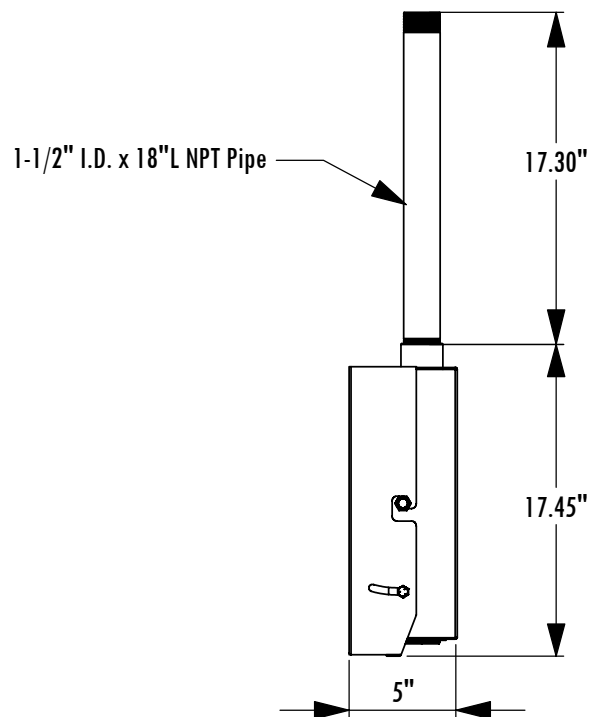
**FSCT Tilted Side View**



**FSCT Ceiling Mounting Bracket Back View**



**FSCT No Tilt Side View**



### Attaching Pipe to Ceiling Mounting Bracket

Ceiling mounting hardware and flanges are sold separately. See <http://www.lucasey.com> for details and drawings of all available mount accessories.

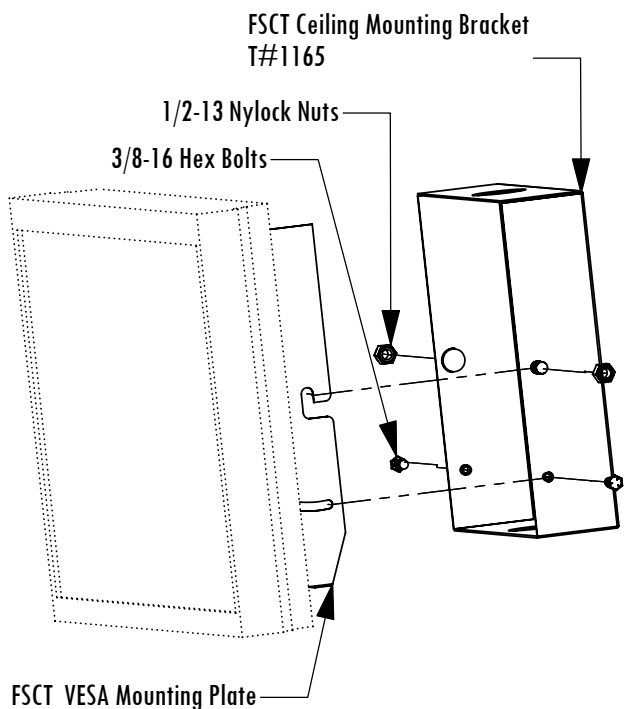
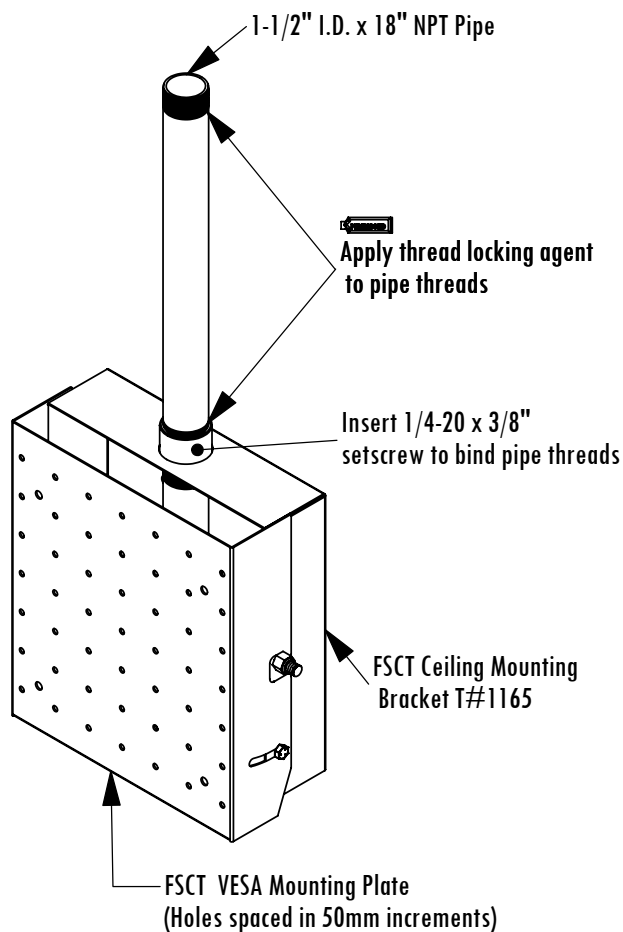
1. Install the appropriate 1-1/2" NPT ceiling flange for your mounting application. Follow the instructions specific to the mounting hardware to be used for the ceiling flange installation.
2. Determine the appropriate length of pipe needed to place the monitor in the proper viewing position. (The pipe provided with the FSCT mount is normally 18" in length but longer lengths can be substituted. Any drop over 36" needs to be stabilized using a CMASTA15, stabilizer kit.)
3. Apply the thread locking agent provided in the FSCT hardware kit to the threads of the 1-1/2" NPT pipe and securely tighten this pipe into the ceiling flange using a pipe wrench or strap wrench. Tighten while the thread locking agent is still wet.
4. Tighten the provided 1/4-20 x 3/8" set screw into the threaded hole on the ceiling flange coupling all the way until the setscrew causes the threads on the pipe to bind.
5. Apply thread locking agent to the FSCT mount end of the 1-1/2" I.D. NPT pipe. Screw the FSCT Ceiling Mounting Bracket onto the 1-1/2" I.D. NPT Pipe while the thread locking agent is still wet.

6. Tighten the provided 1/4-20 x 3/8" set screw into the threaded hole on the FSCT Ceiling Mounting Bracket coupling all the way until the setscrew comes into contact with the threads on the pipe to bind.

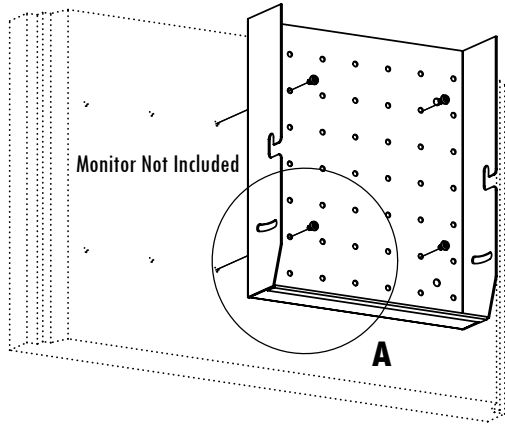
### Attaching Monitor to Ceiling Mounting Bracket

Follow the instructions on page 5 for attaching the monitor to the FSCT VESA Mounting Plate.

1. Leave the 1/2-13 Nylock Nuts loose and the holes for the 3/8-16 Hex Bolts empty.
2. Raise the monitor with attached brackets to the FSCT Ceiling Mounting Bracket and slip the slots of the FSCT VESA Mounting Plate over the studs on the FSCT Ceiling Mounting Bracket. Check to make sure the FSCT VESA Mounting Plate Slots are fully engaged and seated.
3. Adjust Tilt to the desired viewing angle. Then, tighten the 1/2-13 Nylock Nuts and 3/8-16 Hex Bolts to keep the monitor tilted.



### Typical Direct Monitor Attachment

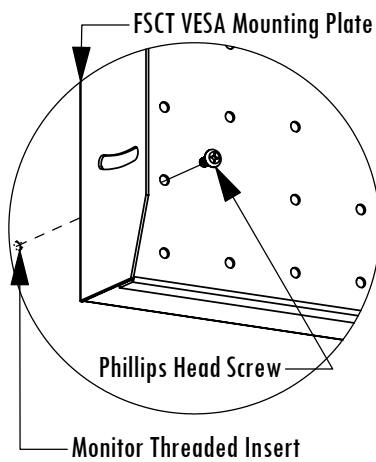


Determine which type of monitor attaching hardware is required for the monitor as specified by the monitor manufacturer. Various sizes of monitor attaching screws are provided for convenience.

If mounting the monitor directly to the FSCT VESA Mounting Plate, follow the Direct Monitor Attachment instructions. If mounting the monitor using an Adaptor Plate, follow the Monitor Attachment with Adaptor Plate instructions.

### Direct Monitor Attachment

Use fasteners as specified by the monitor manufacturer to attach the monitor directly to the FSCT VESA Mounting Plate. (DETAIL A)



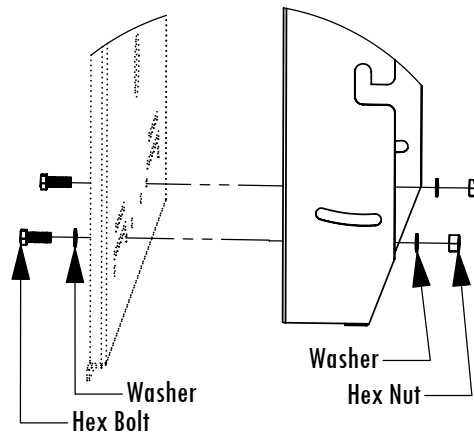
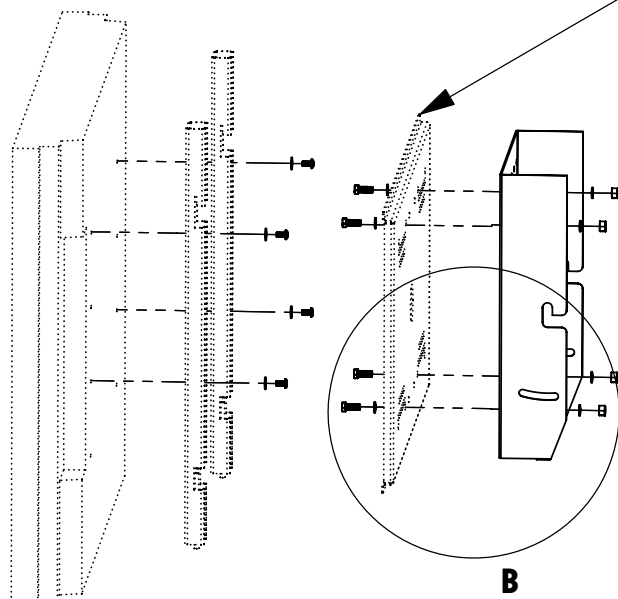
**DETAIL A**

### Monitor Attachment with Adaptor Plate

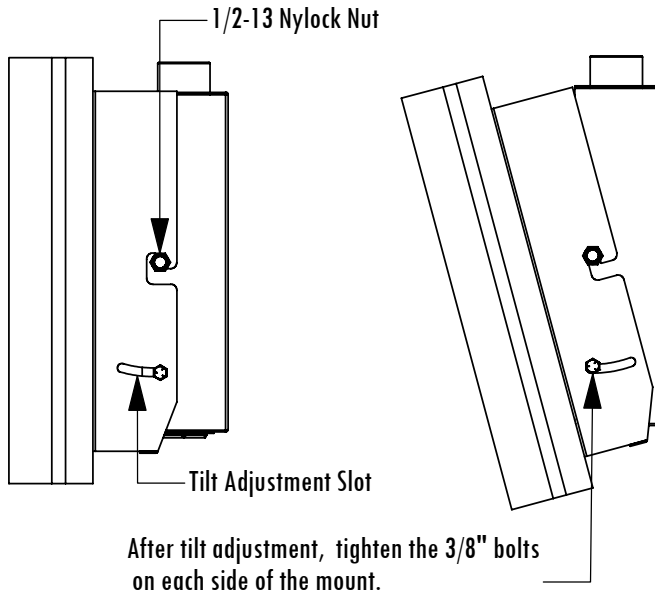
Secure the Adaptor Plate to the FSCT VESA Mounting Plate with the provided hex bolts, nuts, and washers. (DETAIL B)  
Refer to the specific Adaptor Plate instructions to attach the adaptor plate to the monitor.

### Typical Monitor Attachment with Adaptor Plate

Adaptor Plate Sold Separately  
(Shown with FSUL Series Adaptor  
See <http://www.lucasey.com/>  
for instructions and technical drawings)



**DETAIL B**



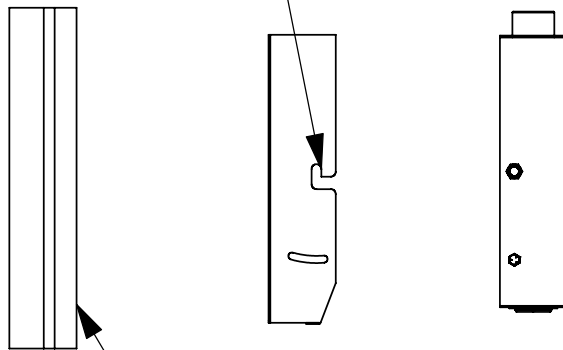
### Monitor Tilt Adjustment

1. Carefully loosen, but do not remove, the 1/2-13 Nylock Nuts and 3/8" hex bolts on each side. If the monitor is already tilted, do not loosen more than is needed to make the two halves of the mount moveable.
2. Slide the monitor into the appropriate viewing angle between 0° and 15°.
3. Tighten the 1/2-13 Nylock Nut and 3/8" bolts and make sure the monitor can not be moved.

### Monitor Removal

1. Carefully loosen, but do not remove, the 1/2-13 Nylock Nuts and 3/8" hex bolts on each side of the mount. If the monitor is already tilted, do not loosen more than is needed to make the two halves slide freely. Tilt the monitor to 0°
2. Remove the 3/8" hex bolts on each side of the mount in preparation for lifting the monitor down.
2. With two people, lift the monitor with the attached mounting plate up and forward to separate the two halves of the mount.
3. Carefully lower the monitor to the ground and remove the mounting plate from the monitor.

Lift slot off of stud to separate mount pieces.



Detach monitor from mount after lowering safely to the ground.

## LIMITED WARRANTY

LUCASEY MANUFACTURING CORPORATION MAKES NO WARRANTY OF ANY KIND, EXPRESS OR IMPLIED except that the goods sold under this agreement shall be free of defects in materials and workmanship for a period of one year from the user's date of purchase. User assumes all risk and liability resulting from the use of the goods, whether used singly or in combination with other goods. Lucasey Manufacturing Corporation neither assumes nor authorizes any person to assume for it any other liability in connection with the sale or use of the goods sold and there are no oral agreements or warranties collateral to or affecting this limited warranty. Lucasey Manufacturing Corporation will repair or replace defective parts or equipment within one year of the date of purchase, at its option, provided the part or equipment is returned pre-paid to Lucasey Manufacturing Corporation's plant. The repaired or replaced part shall be shipped to the user, FOB Lucasey Manufacturing Corporation's plant. NO allowance for outside labor charges are implied within the terms of this limited warranty. Under no circumstances will Lucasey Manufacturing Corporation be responsible for special, indirect or consequential damages. The remedies set forth in this Limited Warranty are exclusive and the liability of Lucasey Manufacturing Corporation with respect to any contract of sale or anything done in connection therewith, whether in contract, in tort, under any warranty or otherwise shall not, except as expressly provided herein, exceed the price of the equipment or part on which such liability is based. Any damage caused by the improper use, operation beyond capacity, substitution of parts or equipment not approved by Lucasey Manufacturing Corporation, improper packaging, failure to observe installation or other instructions, transit, or repair by one other than Lucasey Manufacturing Corporation, will not be covered by and shall void this Limited Warranty.