



FSUL3520 -Wall Mount and Adapter Plate for Flat Screens up to 60" Universal Mounting Pattern

The FSUL3520 universal wall mount and adapter plate attaches to flat screens up to 60" with VESA mounting patterns 800mm x 400mm, 400mm x 200mm, 200mm x 200mm, 200mm x 100mm, 100mm x 100mm and up to 35" wide x 20" tall mounting patterns. The FSUL3520 can be used as a wafer thin profile wall mount when bolted directly to the wall or can be used in conjunction with FS series ceiling, furniture and wall mounts. Security screws, sold separately, can be added to prevent theft of the monitor.

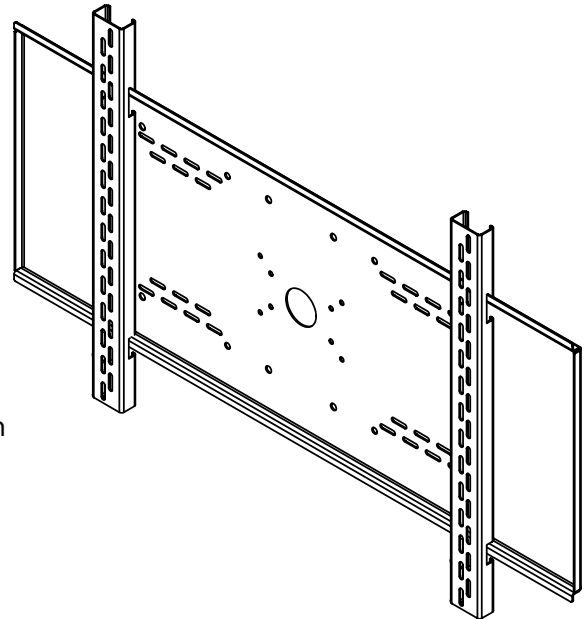
Features:

Available in black and silver finishes

Fits from 37" to 60" flat panel monitors

Universal size fits 35" (889mm) wide x 20" (508mm) tall mounting patterns. Including 800mm x 400mm, 400mm x 200mm, 200mm x 200mm, 200mm x 100mm & 100mm x 100mm VESA compatible monitors

Compatible with: FSW, FSWA, FSWP, FSWT & FSWSL0 Wall Mounts; FSCT & FSCT20 Ceiling Mounts; FSF12 & FSF14 Furniture Mounts; FSPED20 & FSP60T Floor Mounted Pedestals; FSTR & FSTRT Truss or Pole Mounts; FSCR4028 Mobile Equipment Cart



Optional Accessories:

WMATB4 - Metal Stud Toggle Bolt Kit

WMAAB4 - Concrete Anchor Bolt Kit

FSUSKW - Security Screw Kit to Secure Channel to Wall Plate (includes security tool)

Maximum Load Limit:

200 Lbs. (90.9 Kg.)

Product Weight:

15.3 Lbs. (7.0 Kg.)

Shipping Weight:

33.5 Lbs. (15.2 Kg.) (2 per Box)

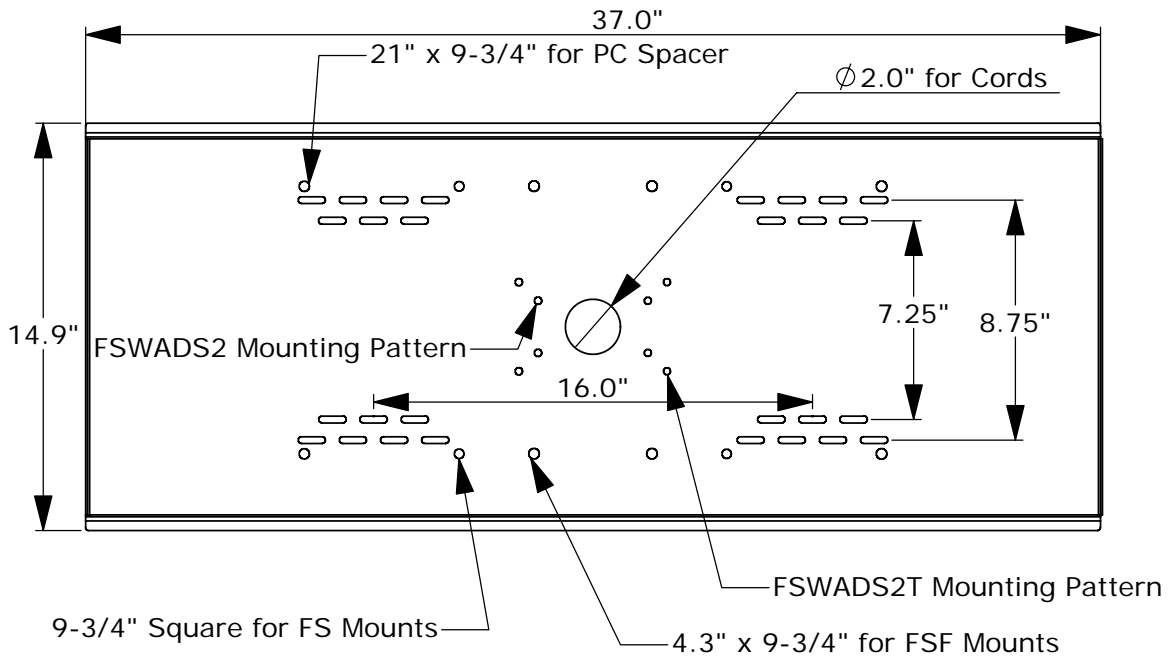
Carton Dimensions:

37-1/2"L x 15-3/4"W x 1-3/4"H

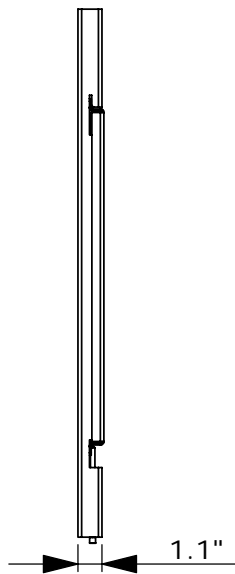
Architectural Specification: The Universal Wall Mount shall be Lucasey model FSUL3520 and shall be located where indicated on the plans. It shall feature monitor attaching channels included compatible with 35" wide by 20" tall or VESA 800mm x 400mm, 400mm x 200mm, 200mm x 200mm, 200mm x 100mm or 100mm x 100mm mounting patterns. Assembly and installation shall be done according to instructions provided by the manufacturer.



Wall - Adapter Plate



Side View



Mounting Channel

