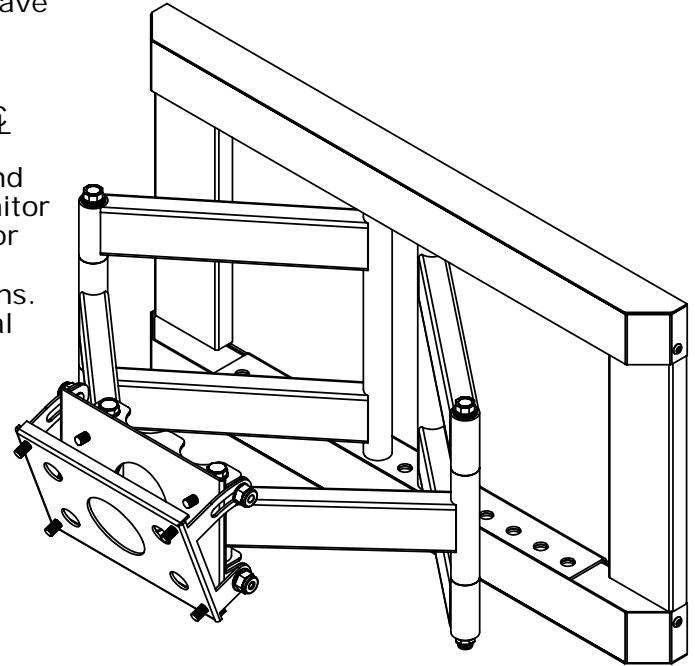




**FSWADS2
&
FSWADS2T**

**Articulating Wall Mounts
for Flat Screens up to 125Lbs.**

The FSWADS2 & FSWADS2T articulating wall mounts have multi-position dual articulating arms that can hold flat screens up to 125 Pounds. The open wall frame is ideal for concealing cord connections in the wall behind the flat screen. Designed to mount to structures with 16" \varnothing wall studs. The monitor can be pushed into or pulled away from the wall as needed. The dual pivot points and relocatable wall arm position allow for flexibility in monitor placement. The monitor can be pivoted up to 90° Left or Right and tilted up to 20° for the best viewing angle. Wood lag screws are provided for wood stud installations. Requires a FSUL2014, FSUL2720 or FSUL3520 universal adapter plate to fit monitors from 32" to 50".



Features:

Available in black and silver finishes

Fits 32" - 50" monitors. Larger monitors that weight less than 125Lbs. can be used.

Requires an additional FSUL2014, FSUL2720 or FSUL3520 adapter plate.

Optional Accessories:

WMATB6 - Metal Stud Toggle Bolt Kit

WMAAB6 - Concrete Anchor Bolt Kit

Maximum Load Limit:

125 Lbs. (56.8 Kg.)

Product Weight:

15.5 Lbs. (7.0 Kg.)

Shipping Weight:

16.5 Lbs. (7.5 Kg.)

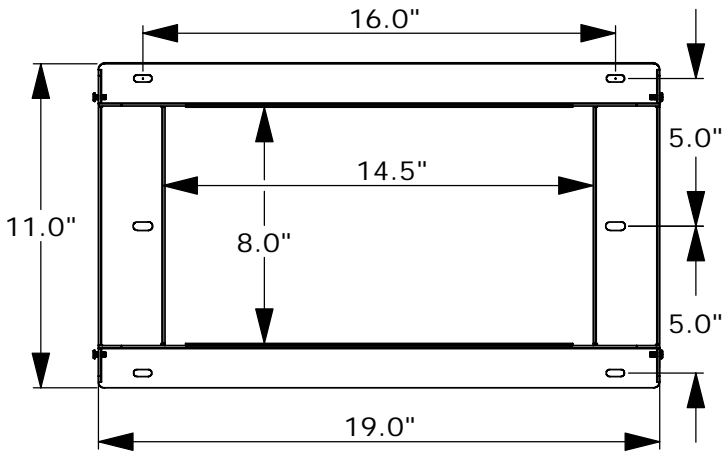
Carton Dimensions:

21"L x 13"W x 3-1/2"H

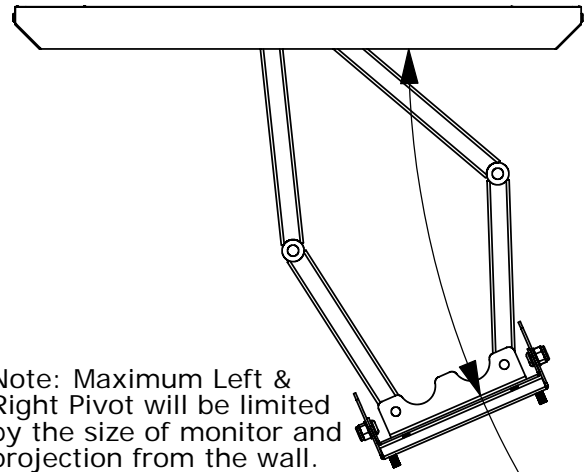
Architectural Specification: The Articulating Wall Mount shall be Lucasey model FSWADS2, for non-tilting applications, or FSWADS2T, for tilting applications, and shall be located where indicated on the plans. The FSWADS2 or FSWADS2T shall be specified with an adapter plate including monitor attaching channels compatible with the monitors mounting pattern. Assembly and installation shall be done according to instructions provided by the manufacturer.



Wall Plate



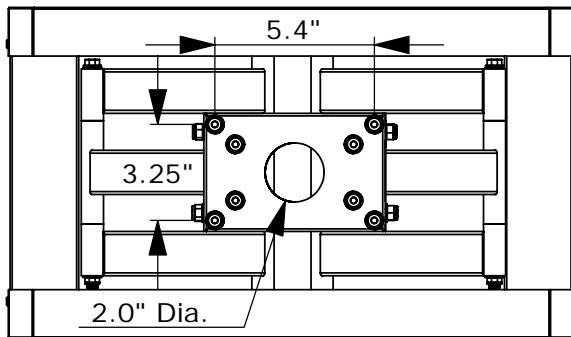
Top View



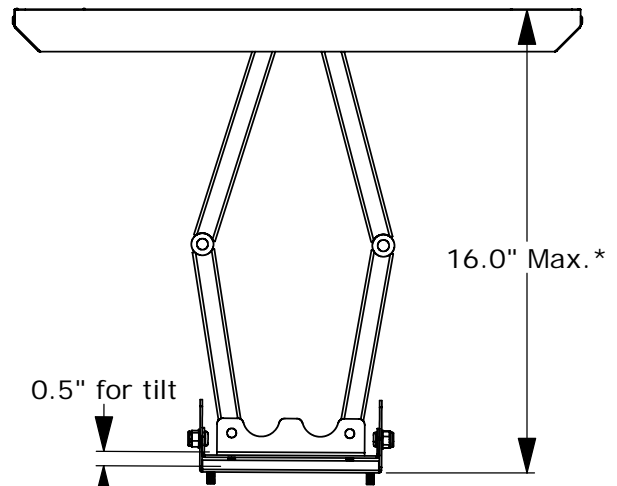
Note: Maximum Left & Right Pivot will be limited by the size of monitor and projection from the wall.

Shown with 20° Pivot

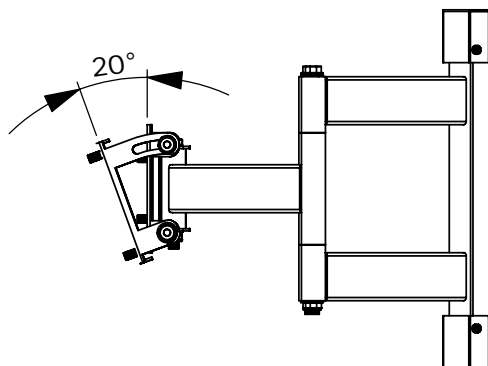
Front View



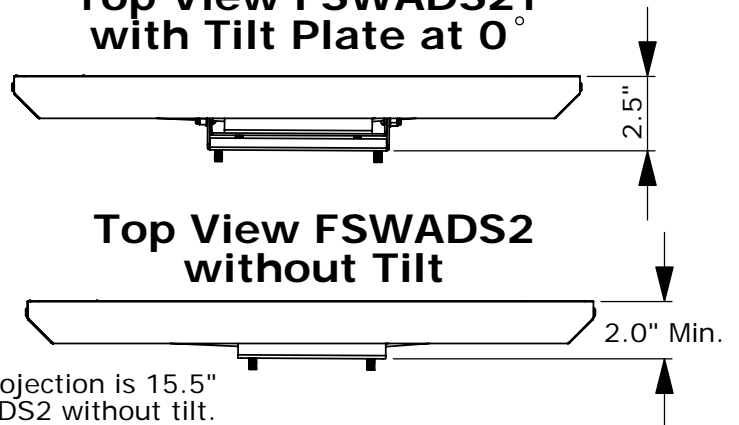
Top View



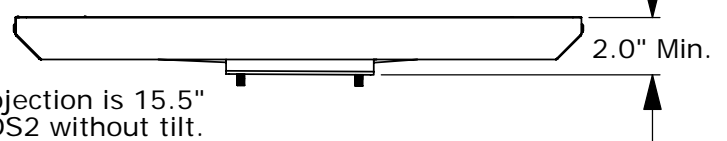
Side View with Tilt



Top View FSWADS2T with Tilt Plate at 0°



Top View FSWADS2 without Tilt



* Max. Projection is 15.5" for FSWADS2 without tilt.