

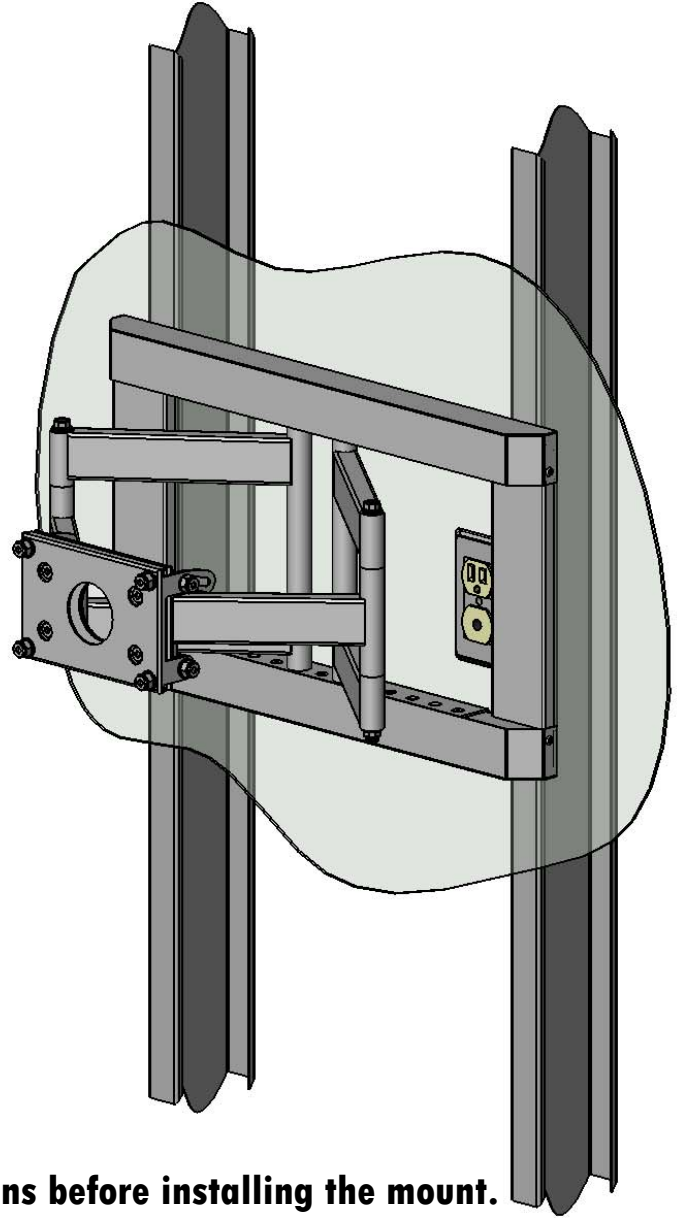
FSWADS2T

Double Stud Articulating Wall Mount for 32" to 50" Flat Screens

A multi-position dual articulating arm for flat screens up to 125 Pounds. Ideal for concealing cord connections in the wall behind the flat screen. Designed to mount to structures with 16" Q wall studs. The monitor can be pushed into or pulled away from the wall as needed. The dual pivot points and relocatable wall arm position allow for flexibility in monitor placement. The monitor can be pivoted up to 90° Left or Right and tilted up to 20° for the best viewing angle.

Wood lag screws are provided for wood stud installations. Toggle bolts for metal stud installations can be ordered separately using part number WMATB6. Concrete anchor bolts can be ordered separately using part number WMAAB6.

Open pattern of wall plate allows access holes to be cut into wall.



Important! Please read all warnings and cautions before installing the mount.

Caution: Improper installation of this wall mount may void the warranty on your monitor.

Caution: Wall attachment should be performed by qualified installers only, using construction methods prescribed by authorized architects or engineers that comply to all applicable codes and standards.

The maximum weight of each monitor to be installed on the FSWADS2T is 125Lbs. (56.8 Kg.)

Inspect all parts to make sure there is no shipping damage. Do not install if any parts are damaged.

Please call 1-800-LUCASEY or 1-510-534-1435 if you have any questions about this installation.

WARNING: Improper installation can result in serious personal injury. It is the responsibility of the installer to ensure that all safety precautions are taken during the installation and that all safety features of the mount are properly utilized.

WARNING: The structure to which the mount is attached needs to be capable of supporting five times the stated load limit. Additional reinforcement of the structure to which the mount is attached may be necessary and a certified architect or engineer is needed to make this determination.

WARNING: Take into consideration the combined weight of the mount, the monitor and any auxiliary equipment when determining the total load on the wall and mount.

WARNING: Do not place body parts between movable parts on the FSWADS2T mount. The mount has pinch points that can cause injury.

WARNING: Make sure that the screws used to attach the monitor to the mount are the appropriate size and length. An assortment of monitor attaching screws is provided for convenience. The appropriate screws to use for mounting the monitor are determined by the monitor manufacturer. Failure to use the screws recommended by the monitor manufacturer can result in the monitor dropping from the mount and/or damage to the electronic components inside the monitor.

Table of Contents

Page 1 ...	Title Page & Product Description
Page 2 ...	Warnings, Item List & Tools Required
Page 3 ...	Dimensional Drawings
Page 4 ...	Installation Instructions for FSWADS2T
Page 5 ...	Pivot Adjustment & Warranty

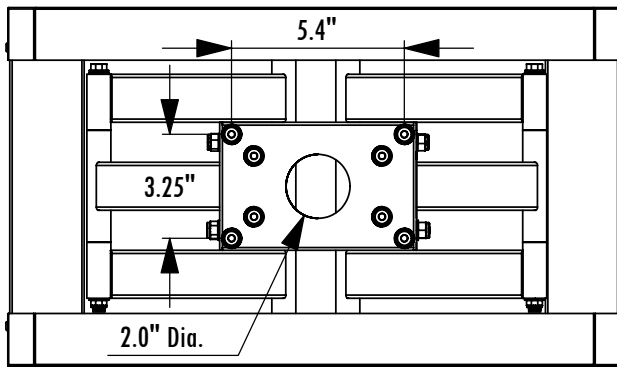
Tools Required

1/8" Hex Wrench
 9/16" Box Wrench or Socket Driver
 1/2" Box Wrench or Socket Driver
 7/16" Box Wrench or Socket Driver
 Phillips Screw Driver

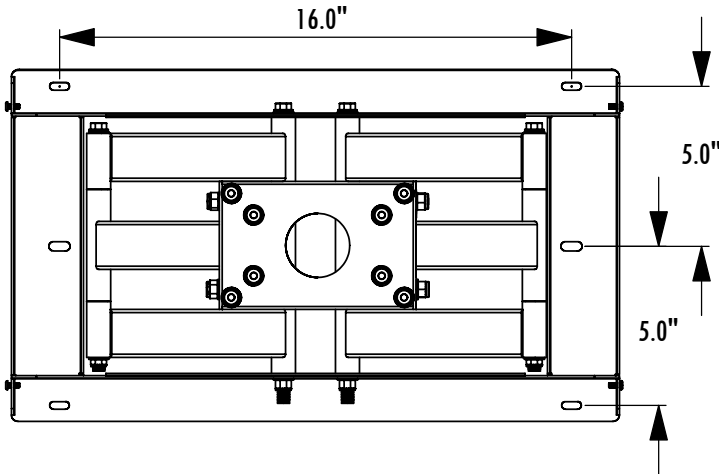
Item List

- 1 ... FSWADS2T Wall Bracket Assembly
- 1 ... FSWADS2T Wall Arm
- 2 ... Top and Bottom Covers for Wall Bracket Assembly
- 2 ... Side Covers for Wall Bracket Assembly
- 2 ... 3/8-16 x 9" Flanged Head Hex Bolt
- 4 ... 3/8" Belleville Washers
- 1 ... 3/8-16 Nylock Nut
- 1 ... 5/16-18 x 2" Hex Button Head Screw
- 1 ... 5/16-18 x 2-1/4" Hex Head Bolt
- 3 ... 5/16" Flat Washers
- 2 ... 5/16" Belleville Washers
- 2 ... 5/16-18 Nylock Nuts
- 1 ... 1/4-20 x 2" Hex Button Head Screw
- 1 ... 1/4" Flat Washer
- 2 ... 1/4" Belleville Washers
- 4 ... #8-32 x 3/8" Self Tapping Phillips Screws
- 6 ... #14 x 2-1/2" HWH Lag Screws

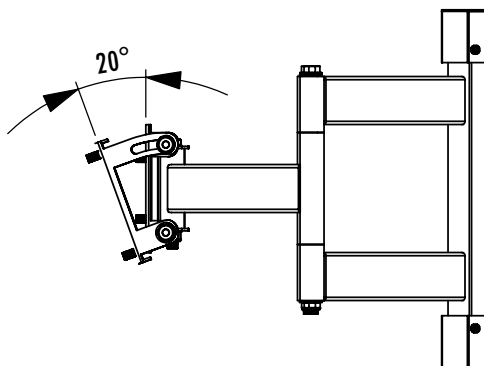
**FSWADS2T Front View
(with Covers in Place)**



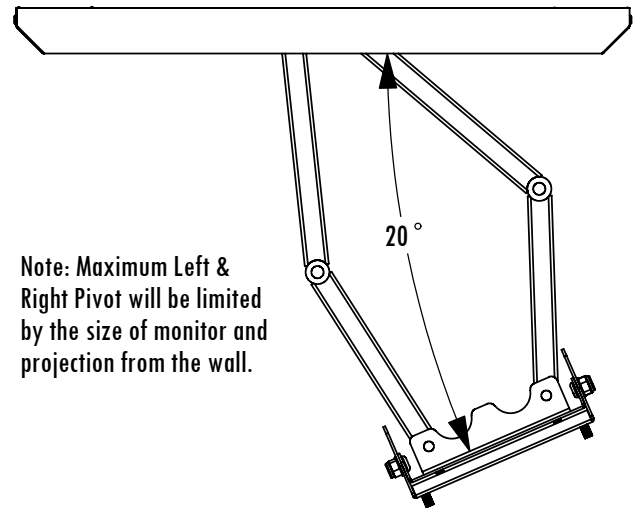
**FSWADS2T Wall Plate
(without Covers)**



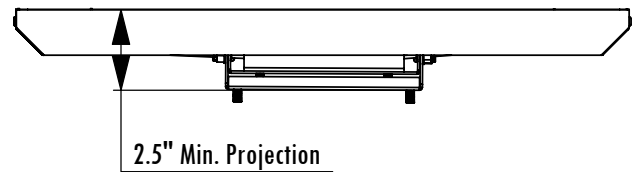
FSWADS2T Side View Tilted



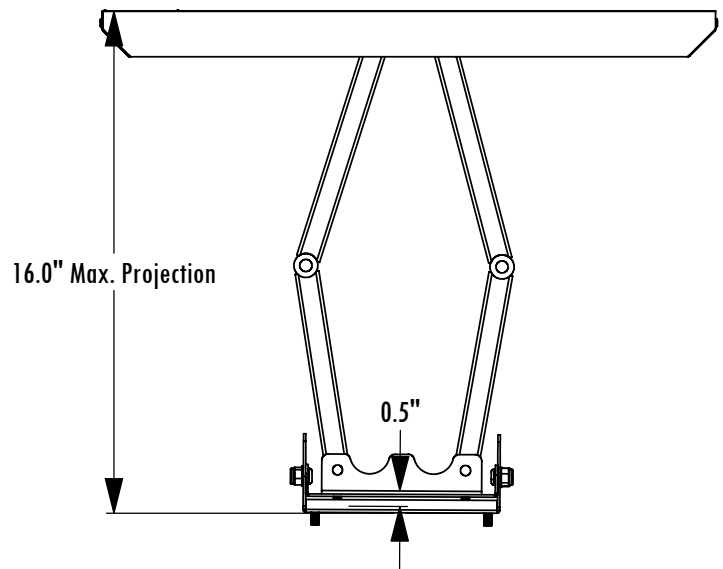
**FSWADS2T Top View
(with 20° Pivot)**



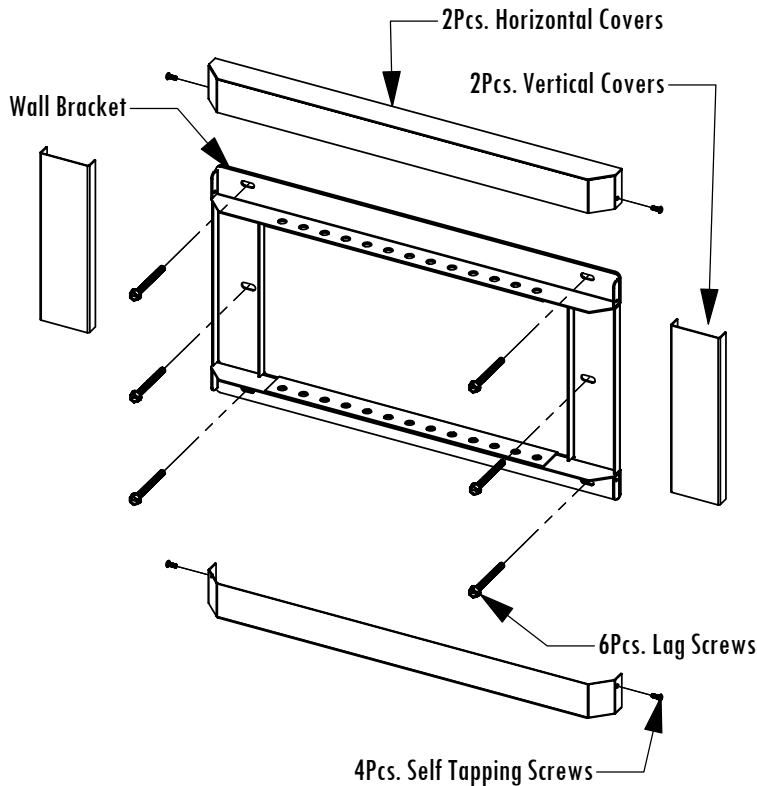
**FSWADS2T Top View
(Min. Projection)**



**FSWADS2T Top View
(Max. Projection)**



Wall Bracket Mounting

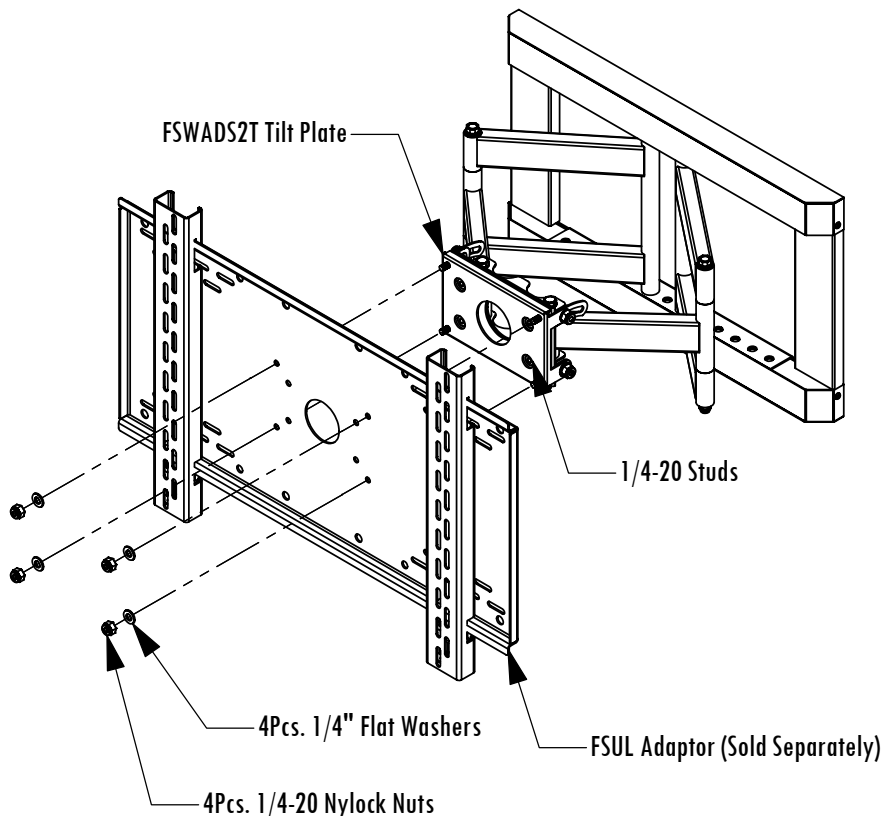


Wood Lag Screws are provided for 16" on center wood stud installations. If installing onto metal studs, use our WMATB6 toggle bolt kit. If installing into concrete, use our WMAAB6, concrete anchor bolt kit.

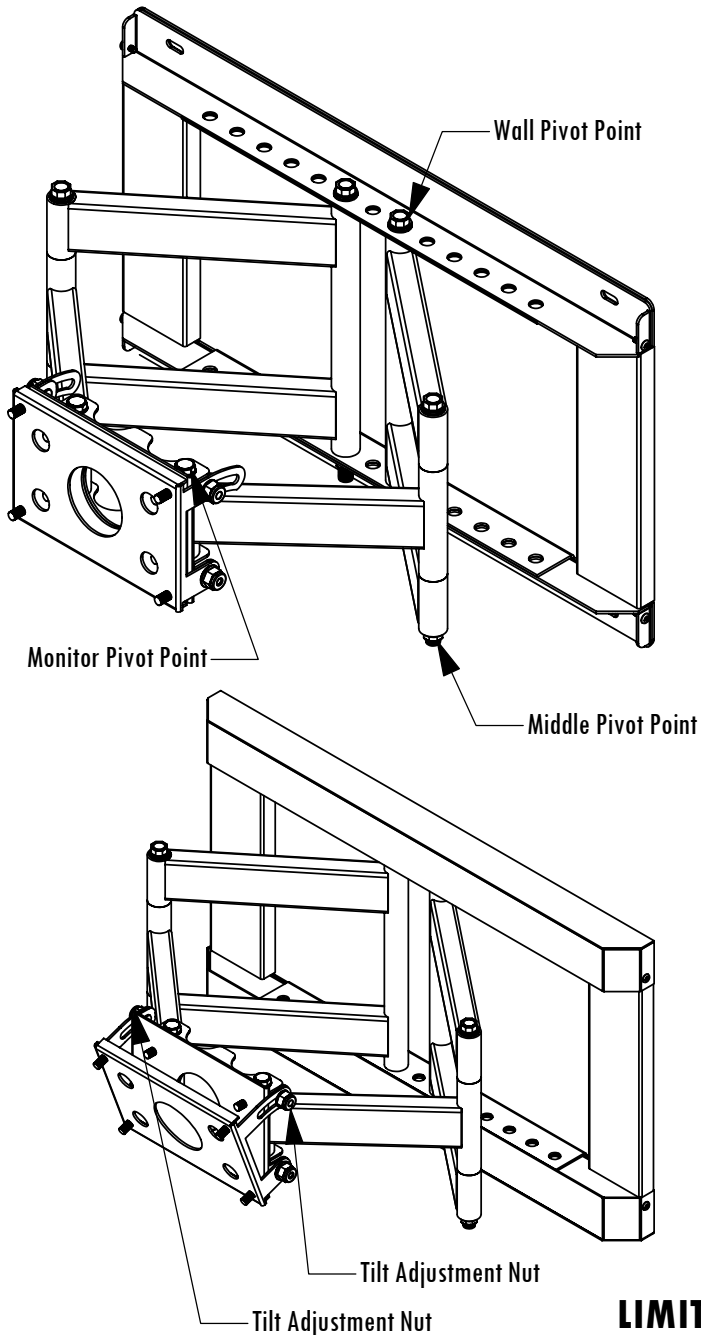
See <http://www.lucasey.com> for details and drawings of all available mount accessories.

1. Determine the proper height and viewing location for the monitor taking into consideration the proper ceiling and head clearance for the monitor being mounted. Also, consider where the monitor pivot point location will be placed and the final desired viewing angle for the monitor.
2. Find the location of the center of two wood studs 16" apart using a stud finder. Using the FSWADS2T Wall Bracket as a template, mark the location for the six Wood Lag Screws.
3. Using a 1/8" Drill bit, drill the six pilot holes 2-3/4" deep at the marked locations on the wall.
4. Attach the Wall Bracket to the wall using the provided Wood Lag Screws or Toggle Bolt Machine Screws. Make sure all the screws are tight before proceeding with the remainder of the installation.

Adaptor Plate Attachment



1. Attach the Adaptor Plate to the FSWADS2T Tilt Plate using the provided 1/4" Nylock Nuts and Washers.
2. Make sure that all four nuts are tight before mounting the monitor.
3. Check to make sure that the 5/16 & 3/8" nuts and bolts are tight at each of the six mount pivot points. Adjust the tension at each of these pivot points to make sure the monitor will not move unintentionally once installed.
4. Follow the monitor attaching instructions specific to the Adaptor Plate being used. Make sure that the proper monitor attaching screws are used as specified by the monitor manufacturer.



Monitor Pivot Adjustment

1. Remove the top and bottom Horizontal Covers as shown on Page 4 for the wall bracket installation.
2. Use a 9/16" box wrench or socket to tighten the 3/8" bolts and nuts on the Wall and Middle Pivot Points. Tighten the bolts and nuts until the desired arm movement tension is achieved.
3. Use a 1/2" box wrench or socket to tighten the 5/16" bolt and nut on the Monitor Pivot Point. Tighten the bolt and nut until the desired arm movement tension is achieved.

Monitor Tilt Adjustment

1. Loosen the Tilt Adjustment Nuts until the monitor can be tilted with little effort.
2. Adjust the monitor tilt to the desired viewing angle.
3. Tighten the Tilt Adjustment Nuts until the monitor can not be tilted easily.

LIMITED WARRANTY

LUCASEY MANUFACTURING CORPORATION MAKES NO WARRANTY OF ANY KIND, EXPRESS OR IMPLIED except that the goods sold under this agreement shall be free of defects in materials and workmanship for a period of one year from the user's date of purchase. User assumes all risk and liability resulting from the use of the goods, whether used singly or in combination with other goods. Lucasey Manufacturing Corporation neither assumes nor authorizes any person to assume for it any other liability in connection with the sale or use of the goods sold and there are no oral agreements or warranties collateral to or affecting this limited warranty. Lucasey Manufacturing Corporation will repair or replace defective parts or equipment within one year of the date of purchase, at its option, provided the part or equipment is returned pre-paid to Lucasey Manufacturing Corporation's plant. The repaired or replaced part shall be shipped to the user, FOB Lucasey Manufacturing Corporation's plant. NO allowance for outside labor charges are implied within the terms of this limited warranty. Under no circumstances will Lucasey Manufacturing Corporation be responsible for special, indirect or consequential damages. The remedies set forth in this Limited Warranty are exclusive and the liability of Lucasey Manufacturing Corporation with respect to any contract of sale or anything done in connection therewith, whether in contract, in tort, under any warranty or otherwise shall not, except as expressly provided herein, exceed the price of the equipment or part on which such liability is based. Any damage caused by the improper use, operation beyond capacity, substitution of parts or equipment not approved by Lucasey Manufacturing Corporation, improper packaging, failure to observe installation or other instructions, transit, or repair by one other than Lucasey Manufacturing Corporation, will not be covered by and shall void this Limited Warranty.