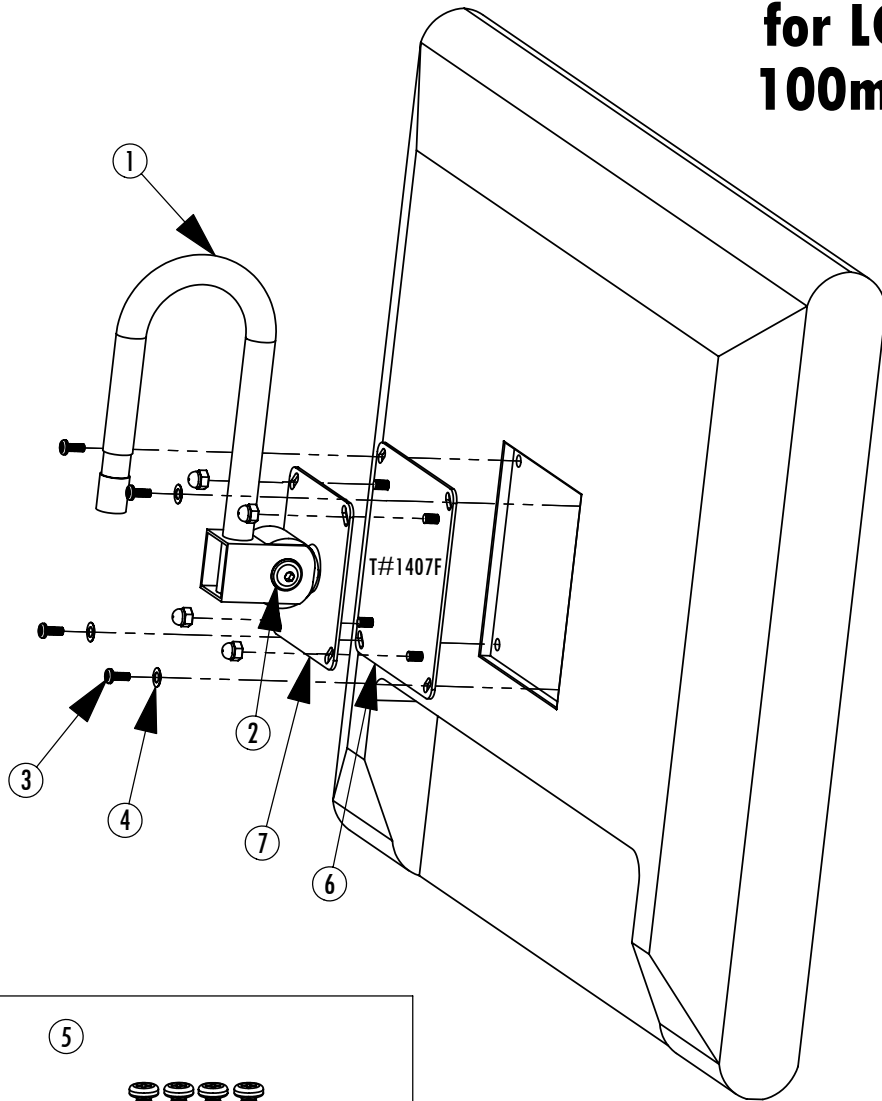


# THIL20NP Hook Mount for LCD Monitors with 100mm VESA Patterns



The instructions do not include installing the wall plate.

1. Remove the Acorn Nuts from the 100mm Mounting Plate
2. Attach the 100mm VESA plate to the back of the monitor with screws that are appropriate for the bosses on the monitor. Use 4mm x 10mm Phillips Screws (#3) and 5mm Flat Washers (#4) for model #s PDI-P20LCDC or LD-20A6UD.

Note: 4mm x 12mm Phillips Screws (#6) are provided for Philips model monitors.

3. Attach the 100mm Mounting Plate to the 75mm Mounting Plate with the Acorn Nuts removed in Step 1.
4. Hook the mount with the monitor onto the wall mount.
5. Adjust the viewing angle and tighten the 5/16" socket head screw (#2).
6. If the monitor is not level, loosen the acorn nuts, adjust the monitor to level and tighten the Acorn Nuts.

### Contents List

Item #	Description	Qty.
1	5/8" Hook welded to Tubing	1
2	5/16" x 1-7/8" Flanged Socket Head Cap Screws	1
3	4mm x 10mm Phillips Screws	4
4	5mm Flat Washers	8
5	4mm x 12mm Phillips Screws	4
6	100mm Mounting Plate with Studs	1
7	75mm Mounting Plate with Knuckle	1
8	5/16" Bellville Washers	3
9	5/16" Flat Washer	1
10	5/16" Nylock Nut	1

5



4Pcs 4mm x 12mm Phillips Screws  
Caution! Do not use with model #s  
PDI-P20LCDC or LD-20A6UD

**Must use 10mm screws on 20" model #s PDI-P20lcdc and LD-20A76UD**