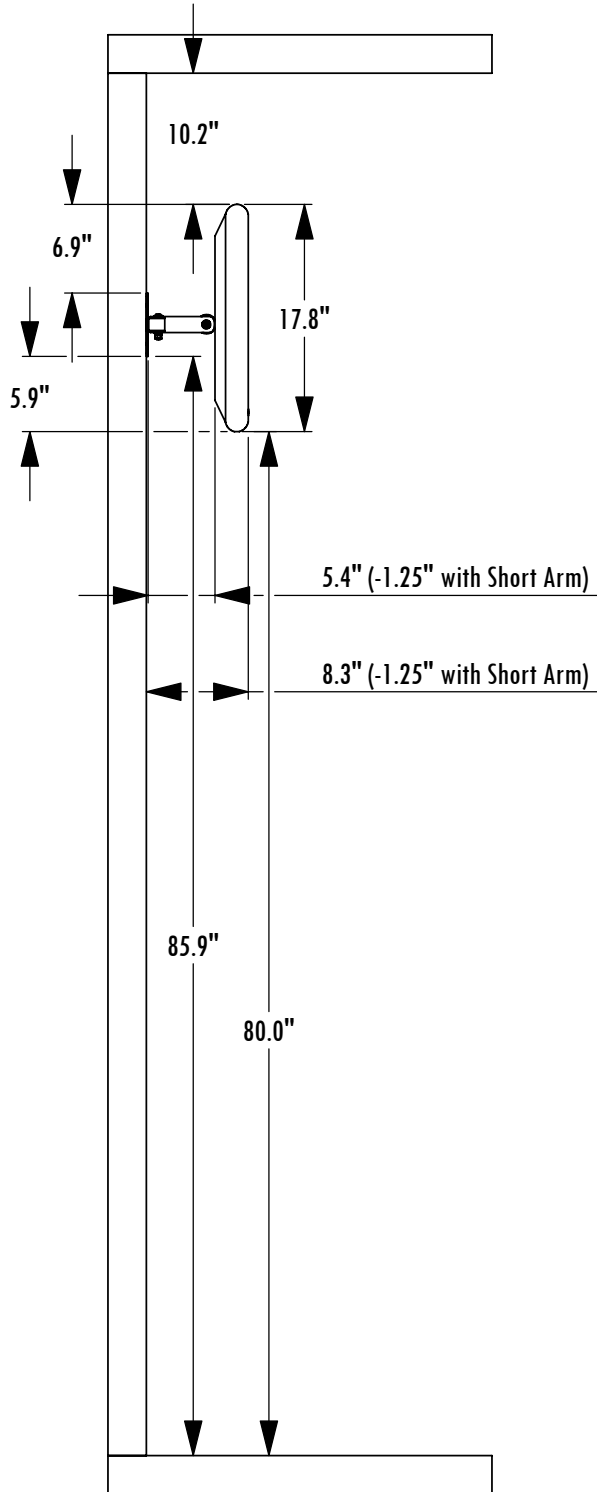
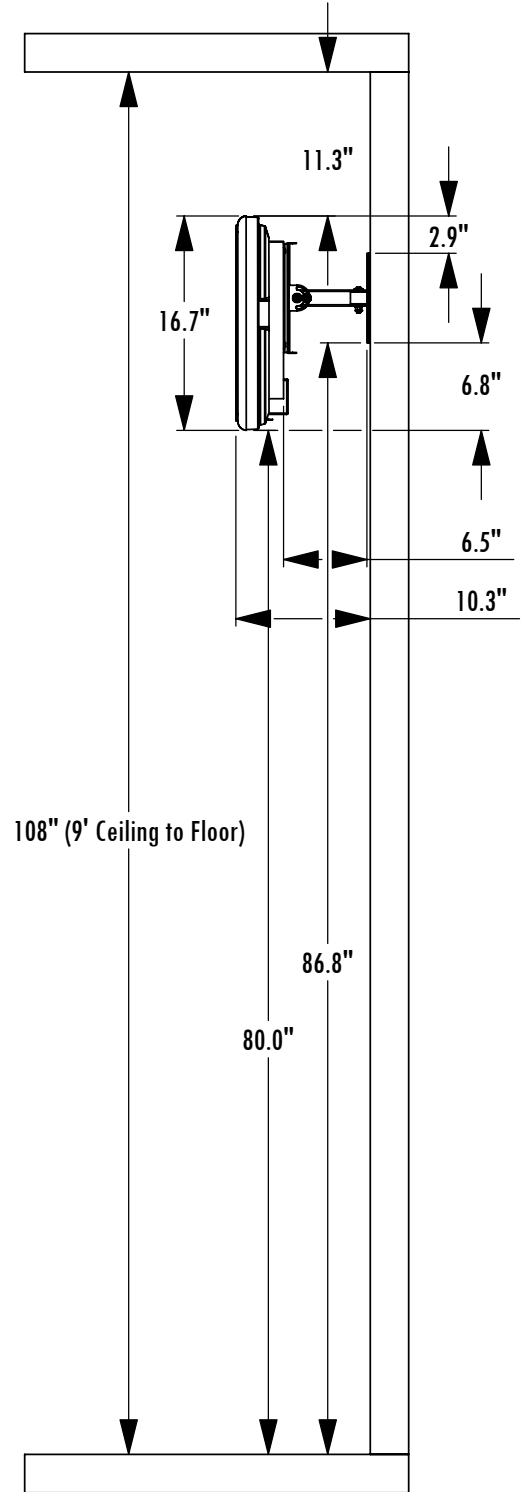


Elevation Details for Telehealth Wall Mounts

**THLCDW with
20" PDI P20LCDB**



**THLCD26W with
26" Telehealth LCD**



1-800-LUCASEY • 1-510-534-1435

©2007 Lucasey Manufacturing Corporation, Oakland, California