

WARNING: Improper installation can result in serious personal injury. It is the responsibility of the installer to ensure that all safety precautions are taken during the installation and that all safety features of the mount are properly utilized.

WARNING: The structure to which the mount is attached needs to be capable of supporting five times the stated load limit. Additional reinforcement of the structure to which the mount is attached may be necessary and a certified architect or engineer is needed to make this determination.

WARNING: Take into consideration the combined weight of the mount, the monitor and any auxiliary equipment when determining the total load on the wall and mount.

WARNING: Do not place body parts between movable parts on the TH200DS1 mount. The mount has pinch points that can cause injury.

WARNING: Make sure that the screws used to attach the monitor to the mount are the appropriate size and length. An assortment of monitor attaching screws is provided for convenience. The appropriate screws to use for mounting the monitor are determined by the monitor manufacturer. Failure to use the screws recommended by the monitor manufacturer can result in the monitor dropping from the mount and/or damage to the electronic components inside the monitor.

Table of Contents

Page 1 ... Title Page & Product Description
 Page 2 ... Warnings, Item List & Tools Required
 Page 3 ... Dimensional Drawings
 Page 4 ... Installation Instructions for TH200DS1
 Page 5 ... Installation Instructions for Toggle Bolts
 Page 6 ... Tilt Adjustment, Monitor Removal & Warranty

Tools Required

- 1/8" Hex Wrench
- 9/16" Box Wrench or Socket Driver
- 1/2" Box Wrench or Socket Driver
- 7/16" Box Wrench or Socket Driver
- Phillips Screw Driver

Item List

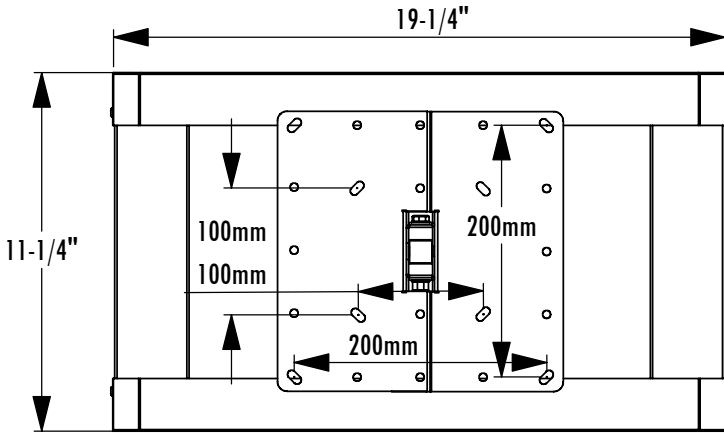
- 1 ... TH200DS1 Wall Bracket Assembly
- 1 ... TH200DS1 Wall Arm
- 1 ... TH200DS1 Tilt Assembly with VESA® Mounting Plate
- 2 ... Top and Bottom Covers for Wall Bracket Assembly
- 2 ... Side Covers for Wall Bracket Assembly
- 1 ... 3/8-16 x 9" Flanged Head Hex Bolt
- 4 ... 3/8" Belleville Washers
- 1 ... 3/8-16 Nylock Nut
- 1 ... 5/16-18 x 2" Hex Button Head Screw
- 1 ... 5/16-18 x 2-1/4" Hex Head Bolt
- 3 ... 5/16" Flat Washers
- 2 ... 5/16" Belleville Washers
- 2 ... 5/16-18 Nylock Nuts
- 1 ... 1/4-20 x 2" Hex Button Head Screw
- 1 ... 1/4" Flat Washer
- 2 ... 1/4" Belleville Washers
- 4 ... #8-32 x 3/8" Self Tapping Phillips Screws
- 6 ... 1/4" Metal Stud Toggle Bolts with 1/4-20 Machine Screws
- 6 ... #14 x 2-1/2" Lag Screws

Monitor Attaching Screw Assortment

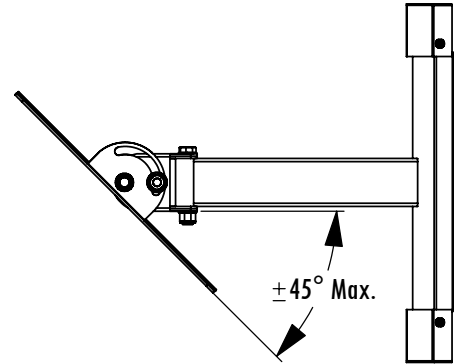
- 6 ... 4mm x 25mm Set Screws
- 12 ... 4mm Hex Nuts
- 6 ... 5mm x 30mm Set Screws
- 12 ... 5mm Hex Nuts
- 6 ... 6mm x 30mm Set Screws
- 12 ... 6mm Hex Nuts
- 6 ... 4mm x 12mm Phillips Screws
- 12 ... 5mm Flat Washers
- 6 ... 5mm x 12mm Phillips Screws
- 12 ... 1/4" Flat Washers
- 6 ... 6mm x 12mm Phillips Screws

Protected under one or more of these U.S. Patent numbers: 3,291,432; 3,559,942; 3,724,798; DES:270,689; 4,613,109; 4,878,645; 4,852,842; DES:309,5624; 973,023; 5,169,114; 5,255,884; 5,310,159; 5,522,576; 5,621,614; Re:35,677; DES:398,834; 5,826,384; 5,941,492; 5,964,068; 6,060,661; 6,102,398; 6,138,704; 6,454,116; 6,761,276; 6,816,425; 6,816,426; 6,816,427

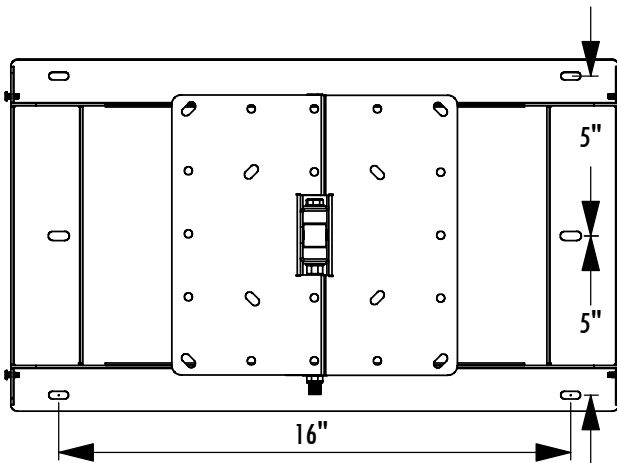
TH200DS1 Front View



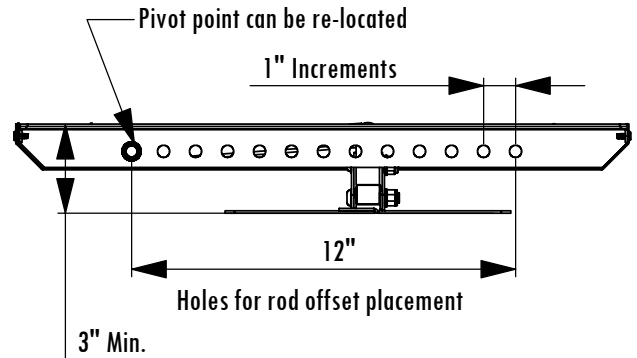
TH200DS1 Tilted Side View



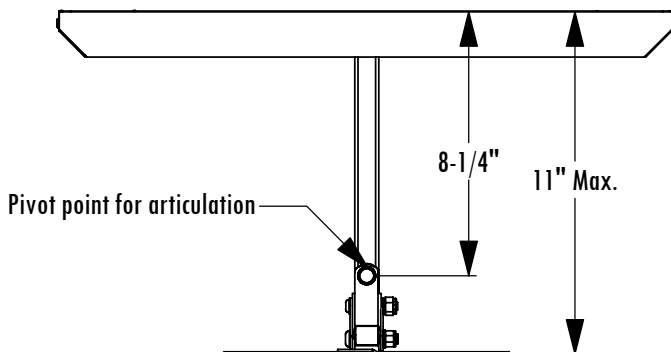
TH200DS1 Wall Plate



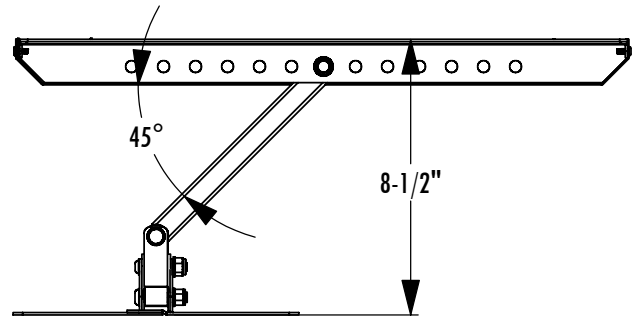
TH200DS1 Top View (w/o cover)



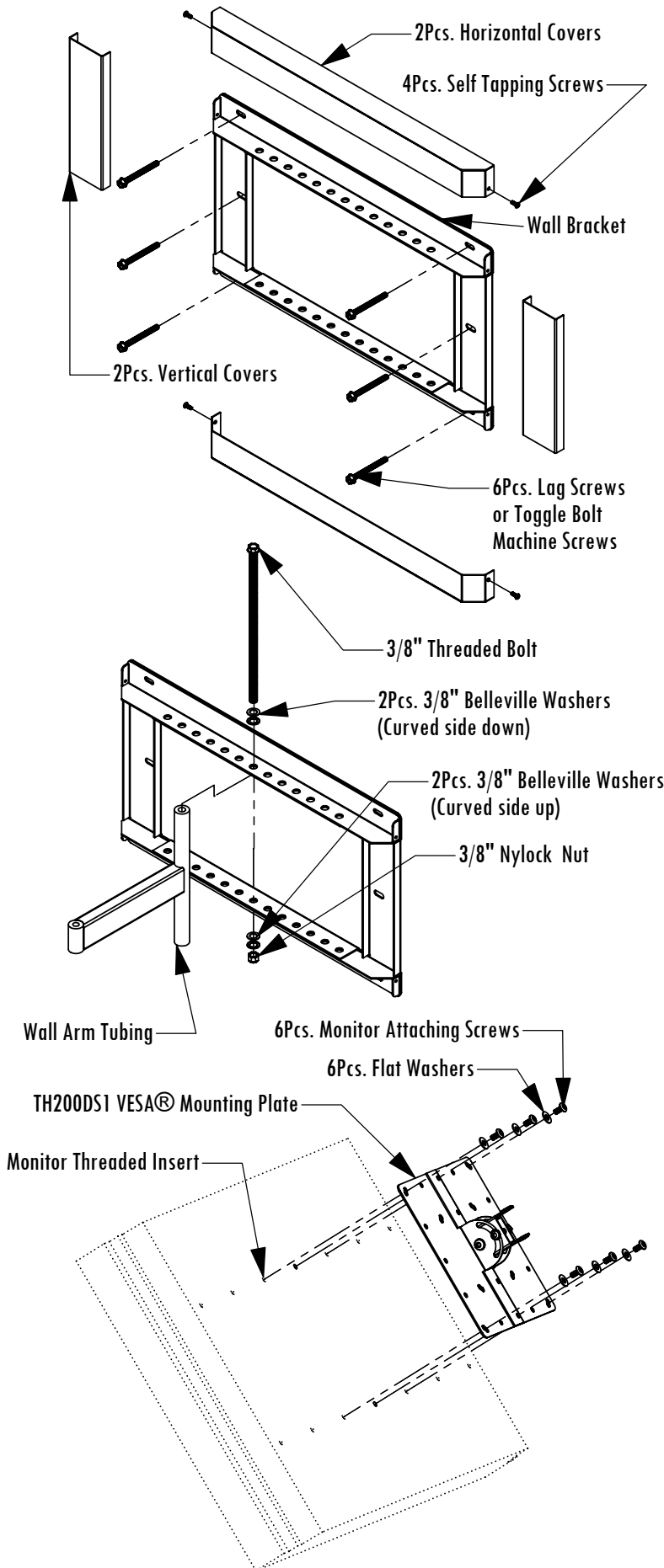
TH200DS1 Top View



TH200DS1 Top View w/ Pivot



Note: Dual pivot points and re-locatable pivot location at the wall allow the monitor to be placed as close to the wall as needed.



Wall Bracket Mounting

Wood Lag Screws are provided for 16" on center wood stud installations. If you are installing onto metal studs follow the toggle bolt instructions on page 5. If installing into concrete, use our WMAAB6, concrete anchor bolt kit. See <http://www.lucasey.com> for details and drawings of all available mount accessories.

1. Determine the proper height and viewing location for the monitor taking into consideration the proper ceiling and head clearance for the monitor being mounted. Also, consider where the monitor pivot point location will be placed and the final desired viewing angle for the monitor.
2. Find the location of the center of two wood studs 16" apart using a stud finder. Remove the Self Tapping Screws, Horizontal Covers and Vertical Covers. Using the TH200DS1 Wall Bracket as a template, mark the location for the six Wood Lag Screws.
3. Using a 1/8" Drill bit, drill the six pilot holes 2-3/4" deep at the marked locations on the wall.
4. Attach the Wall Bracket to the wall using the provided Wood Lag Screws or Toggle Bolt Machine Screws. Make sure all the screws are tight before proceeding with the remainder of the installation.

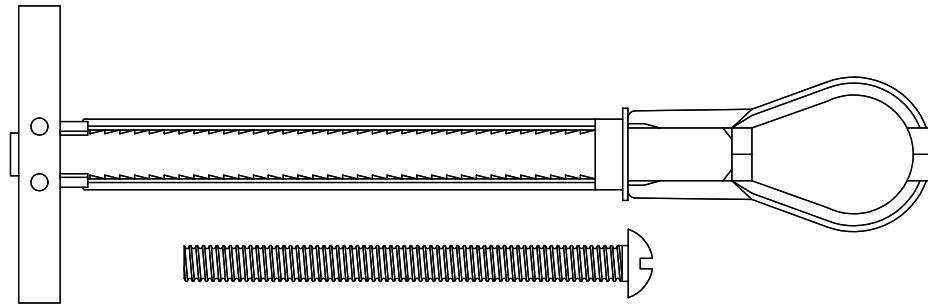
Wall Arm Attachment

1. Using the pivot position determined from step 1 in mounting the Wall Bracket place the Wall Arm in the proper pivot hole position.
2. Insert the 3/8" Threaded Bolt through the Wall Bracket and Wall Arm Tubing.
3. Secure the Wall Arm using the 3/8" Spacer, 3/8" Belleville Washers and Nylock Nut as shown.
4. Adjust the tension of the 3/8" Nylock Jam Nut to keep the monitor from swinging unintentionally.

Monitor Attachment

Determine which type of monitor attaching hardware is required for the monitor as specified by the monitor manufacturer. Various sizes of monitor attaching screws are provided for convenience.

1. Use fasteners as specified by the monitor manufacturer to attach the monitor directly to the TH200DS1 VESA® Mounting Plate.
2. Ensure that the monitor attaching hardware is securely fastened and tight and that none of the threaded inserts are damaged in any way.



1

METAL STUD
WALL BRACKET
MOUNTING HOLES

Locate metal stud behind wallboard. Place level wall bracket over metal stud aligning holes in plate with centerline of metal stud. Mark location of top hole.

2

METAL WALL STUD
WALLBOARD

Drill 1/2" holes through wall board and centerline of metal stud at top hole mark. (Note: If metal stud bends away from drill bit, a stepped drill bit may be required.)

3

METAL CHANNEL

Bend metal channel on Toggler Bolt and insert metal channel through drilled hole into metal stud.

4

PULL RING

Pull metal channel firmly against inside of metal stud by pulling on the toggler's pull ring.

5

PLASTIC CAP

Slide toggler's plastic cap forward until it is seated flush with the surface of the wallboard (see Figure 6).

6

PLASTIC CAP

Push up on toggler's upper plastic leg to snap off external portion of leg. Discard leg/pull-ring section.

7

8

9

WALL PLATE

Place wall bracket over toggler with top hole in plate aligned with toggler. Insert 1/4-20 screw through hole in plate and into toggler.

10

Tighten screw.

11

MACHINE SCREWS
WALL BRACKET

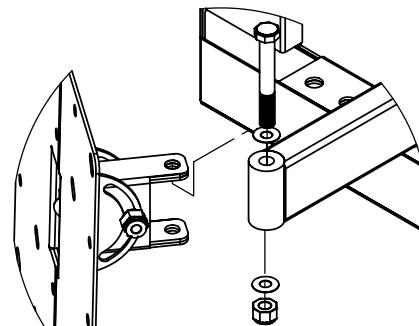
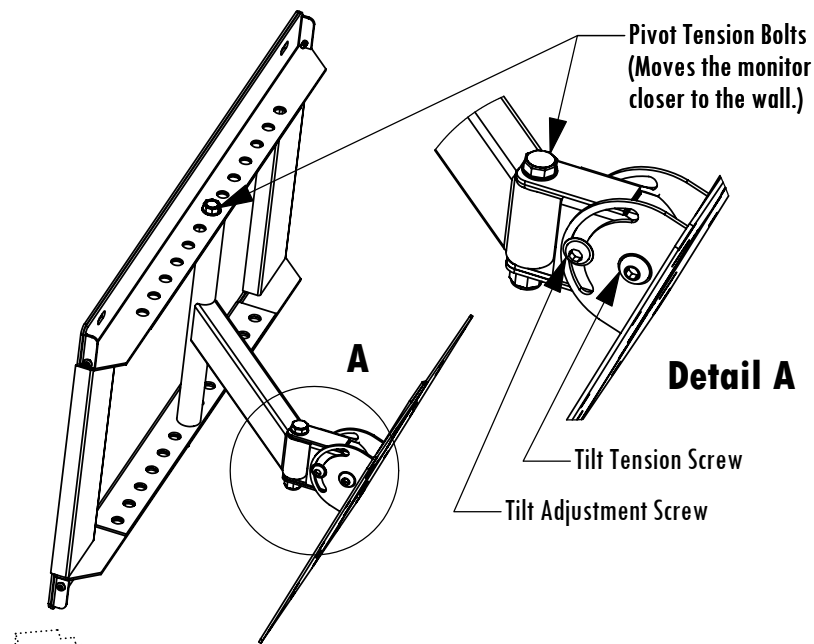
Level wall bracket. Mark locations off remaining two holes. Remove wall plate.

12

Repeat steps 2 through 8 with remaining toggler bolts. After all toggler bolts have been installed. Reposition wall bracket and insert screws into togglers. Start with top hole in mounting bracket. Re-level wall bracket and securely tighten all screws.

Monitor Pivot & Tilt Adjustment

1. Carefully loosen, but do not remove, the Tilt Tension & Tilt Adjustment Screws. Do not loosen more than is needed to make the monitor moveable. See Detail A.
2. Slide the monitor into the appropriate viewing angle $\pm 45^\circ$.
3. Tighten the Tilt Tension & Tilt Adjustment Screws and make sure the monitor can not be moved.
4. Adjust the pivot to the desired viewing location and tighten the Pivot Tension Bolts as needed to keep the monitor in place.



Detail B

Monitor Removal

1. With one person holding the monitor in place, have a second person remove the 5/16-18 Hex Bolt from the mount Pivot Point. See Detail B.
2. Carefully lower the monitor to the ground and remove the mounting plate from the monitor.

LIMITED WARRANTY

LUCASEY MANUFACTURING CORPORATION MAKES NO WARRANTY OF ANY KIND, EXPRESS OR IMPLIED except that the goods sold under this agreement shall be free of defects in materials and workmanship for a period of one year from the user's date of purchase. User assumes all risk and liability resulting from the use of the goods, whether used singly or in combination with other goods. Lucasey Manufacturing Corporation neither assumes nor authorizes any person to assume for it any other liability in connection with the sale or use of the goods sold and there are no oral agreements or warranties collateral to or affecting this limited warranty. Lucasey Manufacturing Corporation will repair or replace defective parts or equipment within one year of the date of purchase, at its option, provided the part or equipment is returned pre-paid to Lucasey Manufacturing Corporation's plant. The repaired or replaced part shall be shipped to the user, FOB Lucasey Manufacturing Corporation's plant. NO allowance for outside labor charges are implied within the terms of this limited warranty. Under no circumstances will Lucasey Manufacturing Corporation be responsible for special, indirect or consequential damages. The remedies set forth in this Limited Warranty are exclusive and the liability of Lucasey Manufacturing Corporation with respect to any contract of sale or anything done in connection therewith, whether in contract, in tort, under any warranty or otherwise shall not, except as expressly provided herein, exceed the price of the equipment or part on which such liability is based. Any damage caused by the improper use, operation beyond capacity, substitution of parts or equipment not approved by Lucasey Manufacturing Corporation, improper packaging, failure to observe installation or other instructions, transit, or repair by one other than Lucasey Manufacturing Corporation, will not be covered by and shall void this Limited Warranty.