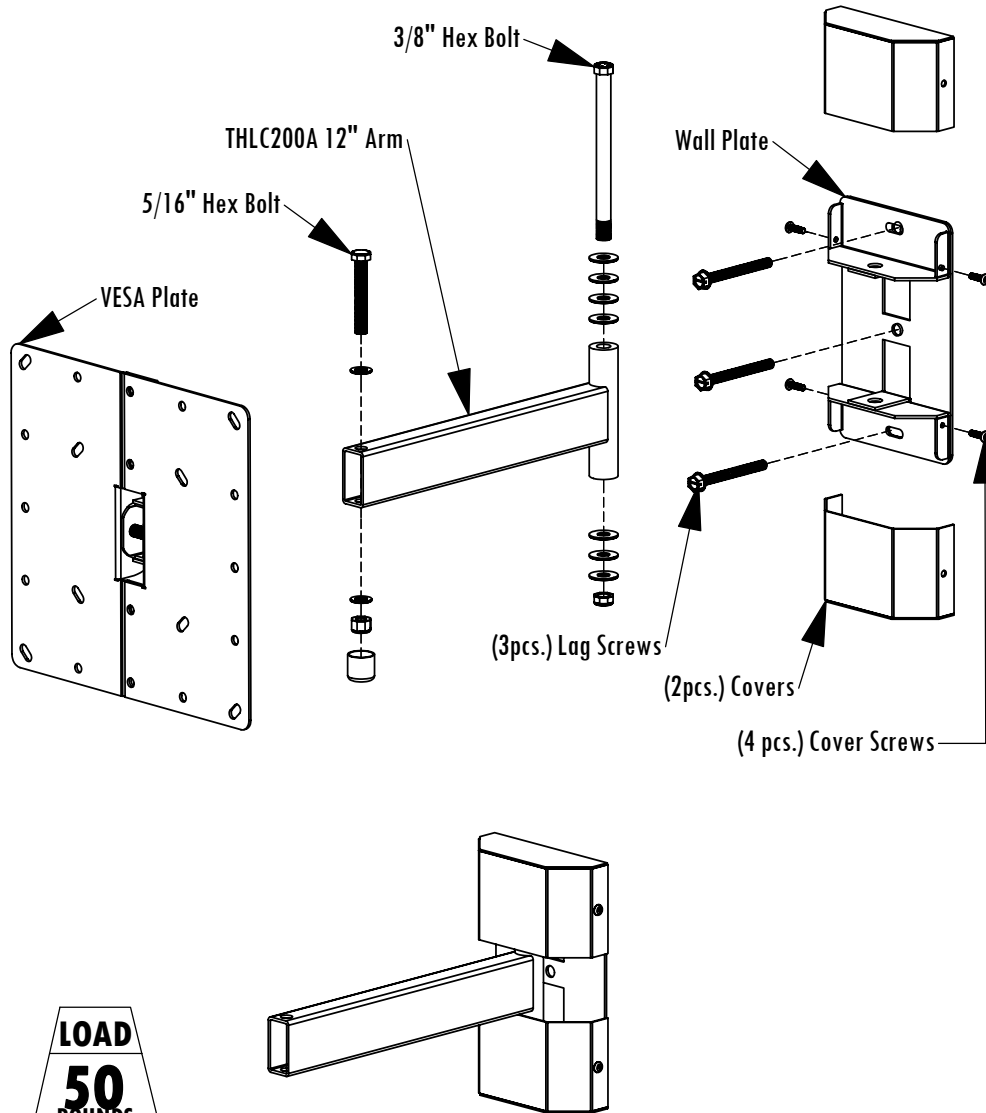


THLC200A Articulating Wall Mount for Flat Panel Screens

with up to 200mm x 200mm VESA Mounting Patterns



1. Remove the 5/16" Hex Bolt from the Wall Arm. Set aside the VESA Plate and hardware for Step 9.
2. Remove the Covers and the 3/8" Hex Bolt from the Wall Plate. Set aside the Covers and hardware for Step 5.
3. Use the Wall Plate as a template to mark and drill 1/8" pilot holes for each of the Lag Screw locations. Check to make sure the Wall Plate is level before marking and drilling the pilot holes. Drill the top and bottom holes first. Then, drill the middle pilot hole with the Wall Plate level. (If installing in metal studs a hardware kit can be purchased separately, WMATB3.)
4. Use the provided Lag Screws to securely fasten the Wall Plate to the wall. Tighten the top and bottom screws before tightening the middle screw to allow for some adjustment to make the Wall Plate level.
5. Replace the 3/8" Hex Bolt and Covers. Test the Wall Arm to make sure the Wall Plate is holding securely.

Hardware List

#14 x 2-1/2" HWH Lag Screws	3
3/8-16 x 4-1/2" Hex Bolt	1
3/8" Flat Washers	7
3/8-16 Nylock Jam Nut	1
1/2" Caps	3
5/16-18 x 2-1/4" Hex Bolt	1
5/16" Flat Washers	2
5/16-18 Nylock Nut	2
5/16-18 x 1-1/2" Socket Button Head Screw	1
5/16" Belleville Washer	2
1/4-20 x 1-1/2" Socket Button Head Screw	1
1/4" Belleville Washer	4
1/4-20 Nylock Nut	1
#8-32 x 1/2" Phillips Self Tapping Screws	4
4mm x 25mm Set Screws ...	4
5mm x 30mm Set Screws ...	4
6mm x 30mm Set Screws ...	4
4mm x 12mm Phillips Screws ...	6
5mm x 12mm Phillips Screws ...	6
6mm x 12mm Phillips Screws ...	6
4mm Hex Nuts ...	8
5mm Hex Nuts ...	8
6mm Hex Nuts ...	8
5mm Flat Washers ...	24
1/4" Flat Washers ...	12

Protected under one or more of these U.S. Patent numbers: 3,291,432; 3,559,942; 3,724,798; DES.270,689; 4,613,109; 4,878,645; 4,852,842; DES.309,5024; 973,023; 5,169,114; 5,255,884; 5,310,132; 5,522,576; 5,621,014; Re.35,677; DES.398,834; 5,826,384; 5,941,492; 5,964,068; 6,060,661; 6,102,398; 6,138,704; 6,454,110B1; 6,761,270B2; 6,806,425B1

