

SLELCD

STEALTH LOCKING FURNITURE MOUNT

Fits up to 26" flat panel monitors with 200mm x 200mm, 200mm x 100mm, 100mm x 100mm and 75mm x 75mm VESA® mounting patterns.

* Fits some 32" models depending upon monitor dimensions and mounting pattern location.

SECURITY LOCKING MECHANISM

Traps the monitor attaching hardware and prevents access to the hardware attaching to the furniture. Preventing easy removal of the monitor without the appropriate tool.

CONVERT OLD CRT TUBE TVS TO LCD FLAT SCREENS

The mounting base used for the SLELCD is the same base used in other SLE type products from Lucasey Manufacturing for CRT Tube TVs. The interchangeable base can be used to convert from existing SLE CRT TV mounts to Flat Screens using the SLELCD.

SECURITY RELEASE TOOL

The patented security mechanism used for the SLELCD ensures that the flat screen can not be easily removed from its mounted location without the appropriate security removal tool.

PROTECT EXPENSIVE COUNTERTOPS

When mounting on furniture that has marble, granite or Corian® surfaces, where the countertop can not be screwed into, Lucasey has an optional adhesive accessory that can be used. The APSLEADS furniture mounting accessory, sold separately, uses an adhesive pad to connect with the countertop, screws into the back of the furniture and attaches to the SLE Base. This maintains the security for the monitor while preventing damage to expensive countertops.

FAST INSTALLATION

Once the proper mounting location is determined, the SLE Base can be installed very quickly onto the furniture. The SLELCD mounting plate can be attached to the monitor and assembled in a few minutes. For large installations, many rooms can be finished in a short time.

EASY CARE AND MAINTENANCE

The decorative plastic cover allows for easy cleaning under and around the monitor. Clean with a soft dust cloth and do not use any cleaners that may damage the plastic or metal surfaces.

Important! Please read all warnings and cautions before installing the mount.

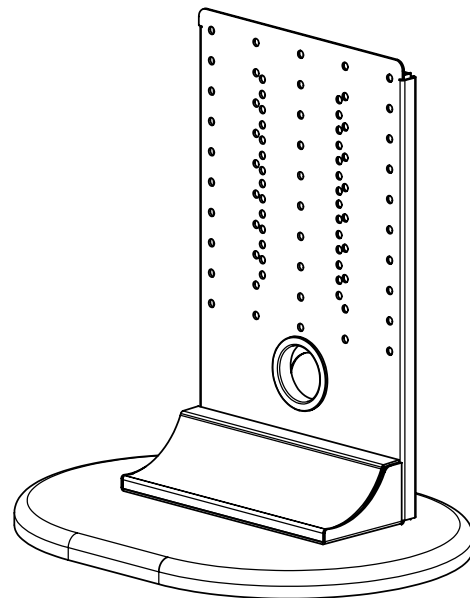
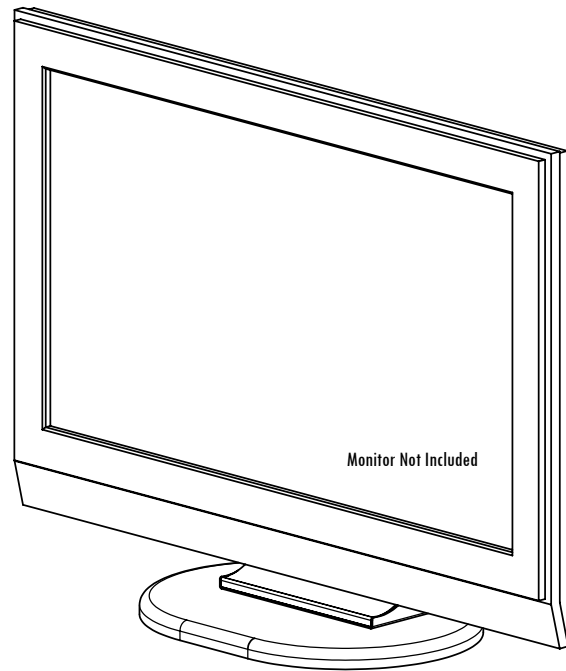
Caution: Improper installation of this mount may void the warranty on your monitor.

Caution: Installation should be performed by qualified installers only, using construction methods prescribed by authorized architects or engineers that comply to all applicable codes and standards.

The maximum weight of monitor to be installed on the SLELCD is 50 Lbs. (22.7 Kg.)

Inspect all parts to make sure there is no shipping damage. Do not install if any parts are missing or damaged.

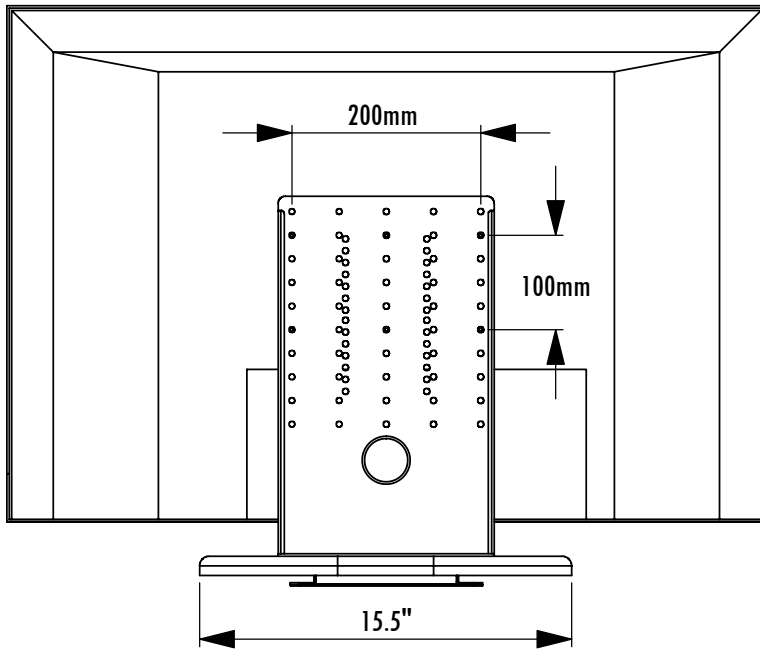
Please call 1-800-LUCASEY or 1-510-534-1435 if you have any questions about this installation.



Note: Monitor must have mounting pattern with the bottom mounting hole less than 9.5" from the bottom of the monitor for this mount to work. If the monitor has a 200mm x 200mm mounting pattern, or the mounting pattern is high on the back of the monitor use the SLELCDT.

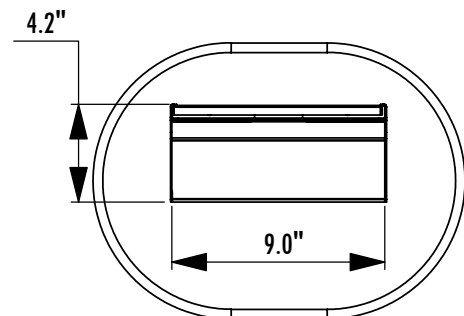
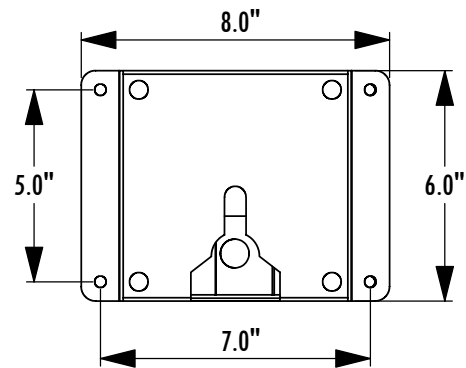
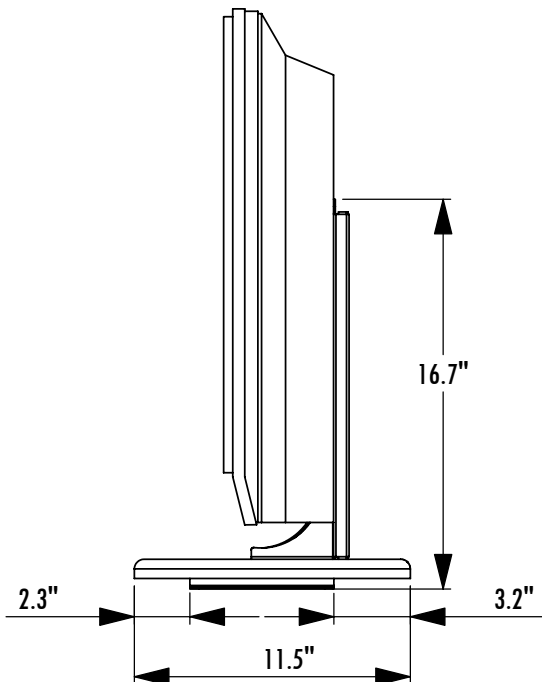
Unpack all of the components from the box and check against the component list below.

- 1 ... Base attached to Rivet Plate
- 1 ... Top Plate
- 1 ... Back Cover
- 1 ... Plastic Cover
- 1 ... SLELCD Quick Installation Instruction
- 1 ... Plastic Edge Protector
- 2 ... Spacers
- 2 ... Stabilizers with Screws & Washers
- 1 ... Swivel Stop with Nylock Nut & Washer
- 6 ... #10-24 x 1/2" Countersunk Screws
- 4 ... #10 Wood Tapping Screws
- 4 ... 4mm x 40mm Setscrews
- 4 ... 5mm x 40mm Setscrews
- 4 ... 6mm x 40mm Setscrews
- 8 ... 4mm Hex Nuts
- 8 ... 5mm Hex Nuts
- 8 ... 6mm Hex Nuts
- 4 ... 4mm x 12mm Phillips Screws
- 4 ... 5mm x 12mm Phillips Screws
- 4 ... 6mm x 12mm Phillips Screws
- 12 ... 5mm Flat Washers
- 12 ... 1/4" Flat Washers



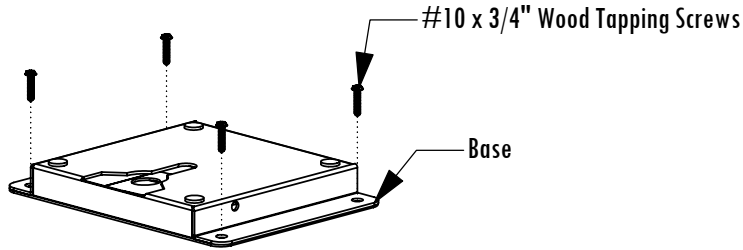
* Fits some 32" models depending upon the monitor dimensions and mounting hole location.

Monitor Not Included



Protected under one or more of these U.S. Patent numbers: 3,291,432; 3,559,942; 3,724,798; DES:270,689; 4,613,109; 4,878,645; 4,852,842; DES:309,5624; 973,023; 5,169,114; 5,255,884; 5,310,159; 5,522,576; 5,621,614; Re:35,677; DES:398,834; 5,826,384; 5,941,492; 5,964,068; 6,060,661; 6,102,398; 6,138,704; 6,454,116; 6,761,276; 6,816,425; 6,816,425

Base Installation Using Wood Tapping Screws



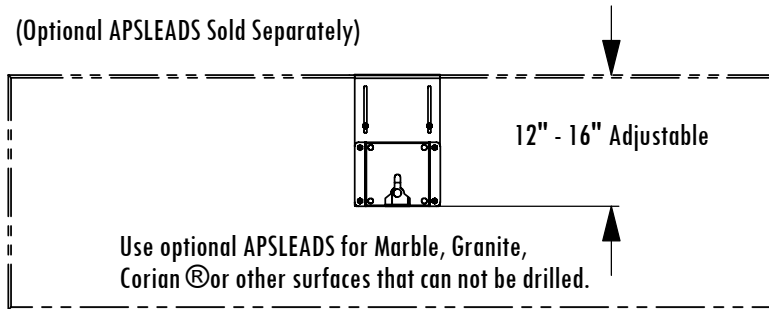
Base Installation

Using the base location determined with the instructions on page 2, drill pilot holes 3/4" deep with a 1/16" bit for each of the tapping screw locations.

attach the SLE Base to the countertop using the provided #10 Wood Tapping Screws.

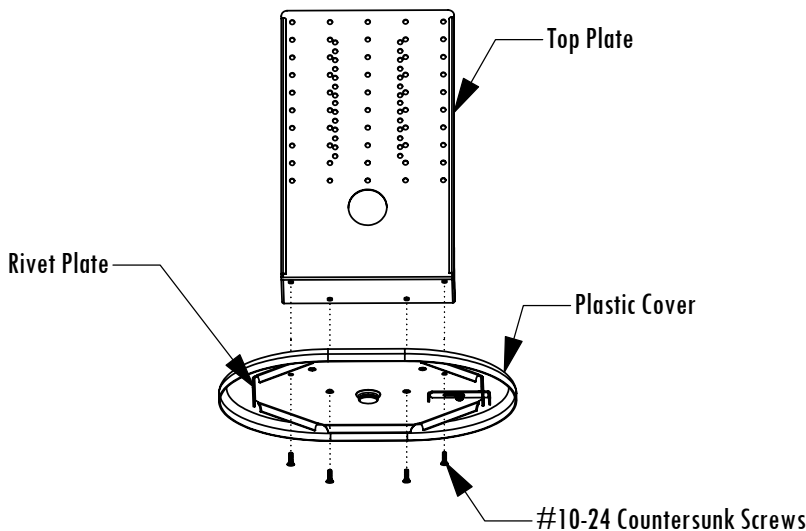
Base Installation Using Optional APSLEADS Adhesive Adaptor

(Optional APSLEADS Sold Separately)



If the countertop can not be drilled, there is an optional adhesive adapter, APSLEADS, which can be used to screw into the back of the furniture and adhere to the surface of the furniture. This adapter can be adjusted from 12" to the front of the Base to 18" to the front of the Base.

Follow the installation instructions for the APSLEADS to mount the Base in the appropriate location.

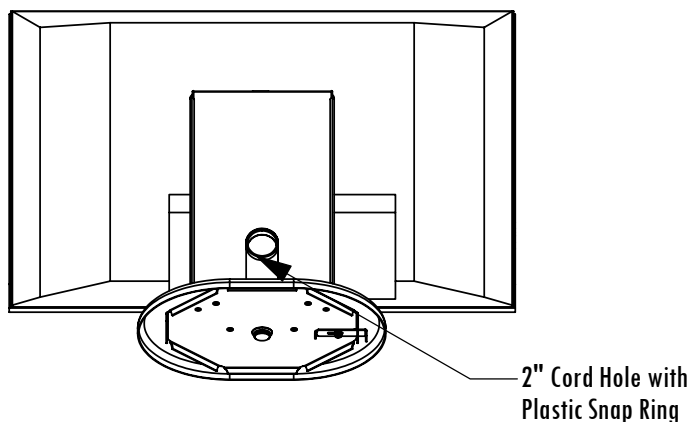


Top Plate Assembly

Assemble the Top Plate with the Plastic Cover and Rivet Plate as shown. Care should be taken not to scratch the Plastic Cover when it is placed between the two metal parts.

Align the three pieces and screw together with four of the six provided #10-24 Countersunk Screws.

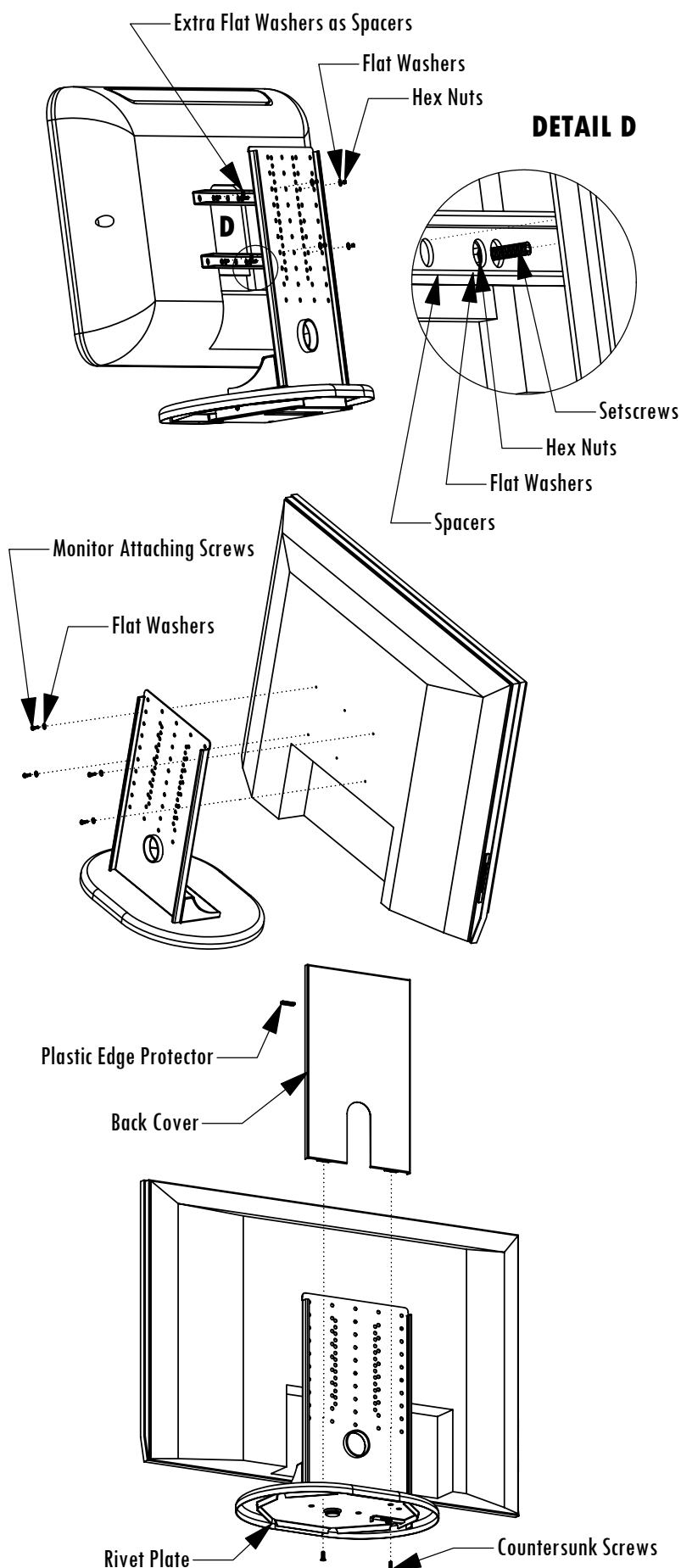
Leave the two holes at the back of the Rivet Plate empty until after the monitor is attached.



Routing Monitor Cords

The monitor cords can be routed through the 2" center hole with a plastic snap ring or can be routed to the monitor without going through this hole depending upon the type of monitor and individual preference.

Before attaching the monitor to the Top Plate, connect the monitor cords as instructed in the monitor's user manual.



Monitor Attachment

WARNING: Make sure that the screws used to attach the monitor to the mount are the appropriate size and length. An assortment of monitor attaching screws are provided for convenience. The appropriate screws to use for mounting the monitor are determined by the monitor manufacturer.

Failure to use the screws recommended by the monitor manufacturer can result in the monitor dropping from the mount and/or damage to the electronic components inside the monitor.

Setscrews are provided for installations where the Top Plate can not be mounted flush against the back of the monitor.

Monitor Attachment with Recessed Cavity

Setscrews, washers and nuts are provided for recessed cavity installations.

Attach the Setscrews to the monitor threaded inserts and secure using washers and nuts.

Use the Spacers to provide a gap between the back of the monitor and the Top Assembly. Stack additional washers as needed to make the Spacers level with back of the monitor.

Secure the Top Assembly to the studs using another washer and nut.

Monitor Attachment with Flat Back

Phillips screws, washers and nuts are provided for SLELCD installations where there are threaded inserts flush with the back of the monitor.

Set the Top Plate flush with the back of the monitor.

Attach the Top Plate to the monitor using the appropriate size Phillips Screws and Washers.

Back Cover Attachment

Check to make sure the monitor is securely attached to the Top Plate.

Slide the Plastic Edge Protector onto the center of the top edge of the Back Cover to dampen any noise from the metal parts.

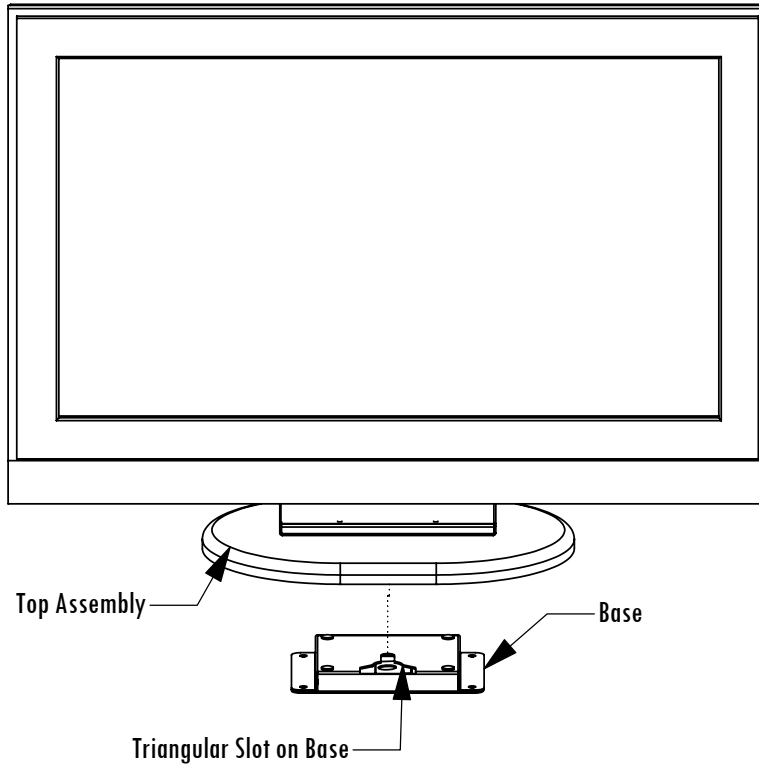
Screw the Back Cover to the Rivet Plate using the remaining two Countersunk Screws.

Protected under one or more of these U.S. Patent numbers: 3,291,432; 3,159,942; 3,724,798; DES:270,689; 4,613,109; 4,878,645; 4,852,842; DES:309,524; 973,023; 5,169,114; 5,255,884; 5,310,159; 5,522,576; 5,671,614; 5,826,384; 5,941,492; 5,944,068; 6,060,661; 6,102,398; 6,138,704; 6,454,116; 6,761,276; 6,826,425; 6,826,426

Monitor to Base Attachment

With the monitor mounted to the Top Assembly, align the rivet on the Rivet Plate with the Triangular Slot on the Base. Slide the Top Assembly back until there is an audible click and the Top Assembly locked into the Base. Pull forward on the monitor to ensure that the rivet has engaged the Base.

Warning! Check to ensure the monitor is locked in place and can not be disengaged from the SLE Base. Leaving the Monitor & Top Assembly loose can result in equipment damage or injury.



Monitor Release

See the SLELCD Base Release Instructions for details on how to release the monitor from the base once installed. The release instructions are shipped with the release rods in a separate box from the mounts for security purposes.

LIMITED WARRANTY

LUCASEY MANUFACTURING CORPORATION MAKES NO WARRANTY OF ANY KIND, EXPRESS OR IMPLIED except that the goods sold under this agreement shall be free of defects in materials and workmanship for a period of one year from the user's date of purchase. User assumes all risk and liability resulting from the use of the goods, whether used singly or in combination with other goods. Lucasey Manufacturing Corporation neither assumes nor authorizes any person to assume for it any other liability in connection with the sale or use of the goods sold and there are no oral agreements or warranties collateral to or affecting this limited warranty. Lucasey Manufacturing Corporation will repair or replace defective parts or equipment within one year of the date of purchase, at its option, provided the part or equipment is returned pre-paid to Lucasey Manufacturing Corporation's plant. The repaired or replaced part shall be shipped to the user, FOB Lucasey Manufacturing Corporation's plant. NO allowance for outside labor charges are implied within the terms of this limited warranty. Under no circumstances will Lucasey Manufacturing Corporation be responsible for special, indirect or consequential damages. The remedies set forth in this Limited Warranty are exclusive and the liability of Lucasey Manufacturing Corporation with respect to any contract of sale or anything done in connection therewith, whether in contract, in tort, under any warranty or otherwise shall not, except as expressly provided herein, exceed the price of the equipment or part on which such liability is based. Any damage caused by the improper use, operation beyond capacity, substitution of parts or equipment not approved by Lucasey Manufacturing Corporation, improper packaging, failure to observe installation or other instructions, transit, or repair by one other than Lucasey Manufacturing Corporation, will not be covered by and shall void this Limited Warranty.