

THFSUL2720 - Wall Mount and Adapter Plate for Flat Screens up to 60" Universal Mounting Pattern

The THFSUL2720 universal wall mount and adapter plate attaches to flat screens up to 60" with VESA mounting patterns 600mm x 400mm, 400mm x 200mm, 200mm x 200mm, 200mm x 100mm, 100mm x 100mm and up to 27" wide x 20" tall mounting patterns. The THFSUL2720 can be used as a wafer thin profile wall mount when bolted directly to the wall or can be used in conjunction with FS series ceiling, furniture and wall mounts. Security screws, sold separately, can be added to prevent theft of the monitor.

Features:

Available in black and silver finishes

Fits from 37" to 60" flat panel monitors

Universal size fits 27" (686mm) wide x 20" (508mm) tall mounting patterns. Including 600mm x 400mm, 400mm x 200mm, 200mm x 200mm, 200mm x 100mm & 100mm x 100mm VESA compatible monitors

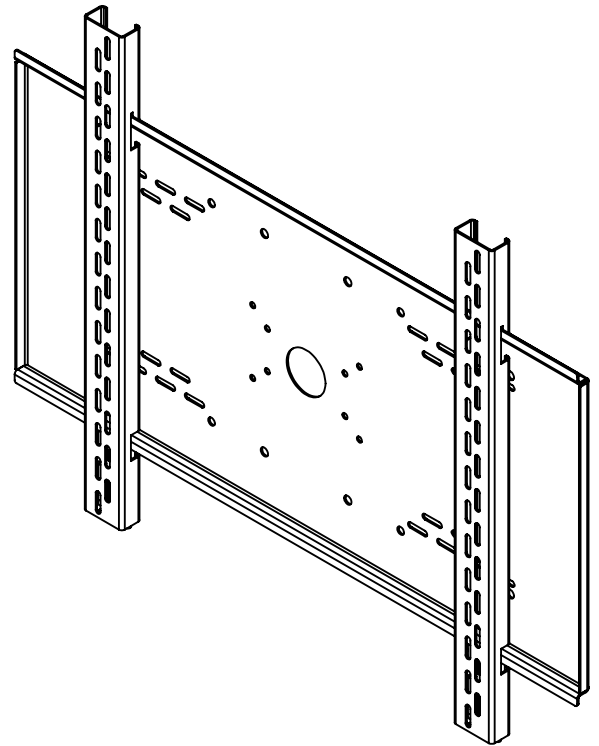
Compatible with: THFSWADS2, THFSWADS2T, FSW, FSWA, FSWP, FSWT & FSWSL0 Wall Mounts; FSCT & FSCT20 Ceiling Mounts; FSF12 & FSF14 Furniture Mounts; FSPED20 & FSP60T Floor Mounted Pedestals; FSTR & FSTRT Truss or Pole Mounts; FSCR4028 Mobile Equipment Cart

Optional Accessories:

WMATB4 - Metal Stud Toggle Bolt Kit

WMAAB4 - Concrete Anchor Bolt Kit

FSUSKW - Security Screw Kit to Secure Channel to Wall Plate (includes security tool)



Maximum Load Limit:

200 Lbs. (90.9 Kg.)

Product Weight:

12.5 Lbs. (5.7 Kg.)

Shipping Weight:

28.3 Lbs. (12.9 Kg.) (2 per Box)

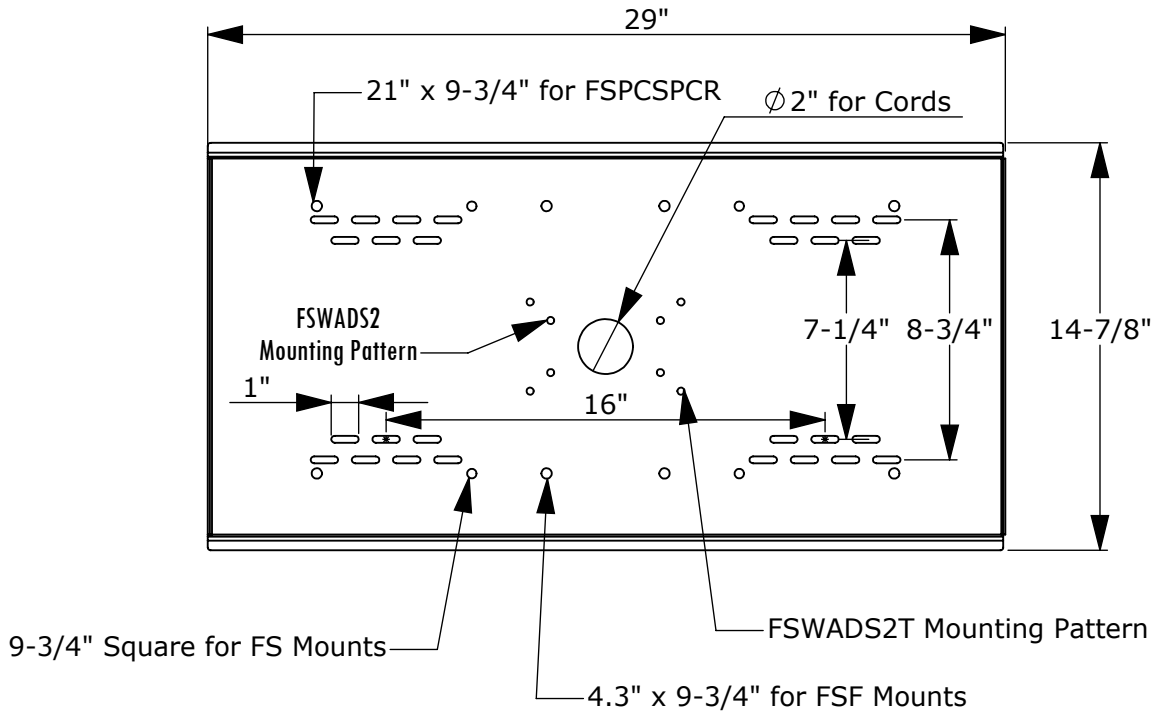
Carton Dimensions:

29-1/2"L x 15-1/4"W x 1-3/4"H

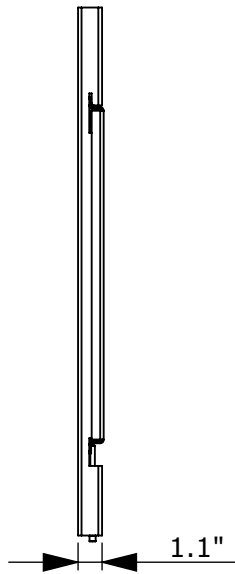
Architectural Specification: The Universal Wall Mount shall be Lucasey model THFSUL2720 and shall be located where indicated on the plans. It shall feature monitor attaching channels included compatible with 27" wide by 20" tall or VESA 600mm x 400mm, 400mm x 200mm, 200mm x 200mm, 200mm x 100mm or 100mm x 100mm mounting patterns. Assembly and installation shall be done according to instructions provided by the manufacturer.



Wall - Adapter Plate



Side View



Mounting Channel

